

NOW, THERE'S A BETTER WAY TO RETROFIT A WALL MOUNT DUCTLESS EVAPORATOR!

The new, patented*

SUPER SLEEVE

helps you do a professional
installation in less time, every time.

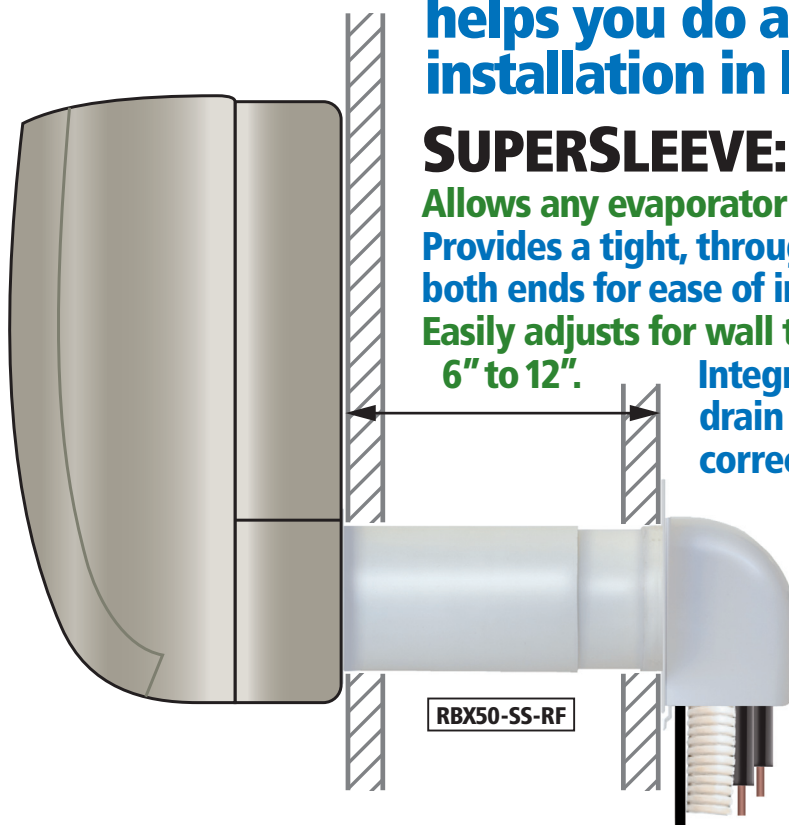
SUPERSLEEVE:

Allows any evaporator to be mounted by only 1 technician.
Provides a tight, through the wall sleeve, flanged at
both ends for ease of insertion.

Easily adjusts for wall thicknesses from
6" to 12".

Integral guide ensures positive slope of
drain hose through the wall to ensure
correct drainage every time.

Integral cable guide allows
cable to be inserted from
outside the building after
the evaporator is installed.
Integral strain relief clamp
prevents weight of cable
from creating strain on the
evaporator terminals.



SAVES TIME • SAVES MONEY • SAVES HASSLE

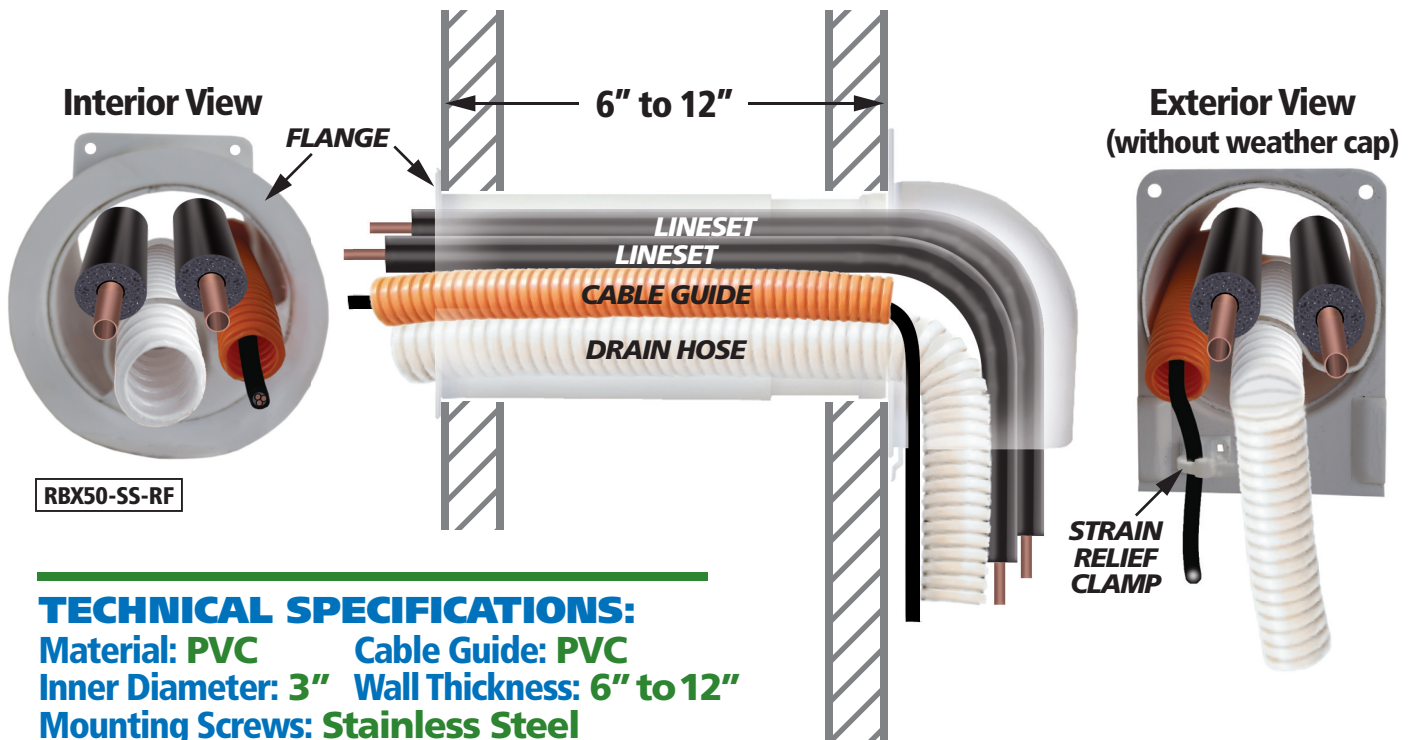
- Eliminates negative slope drain hoses.
- Provides a secure sleeve to prevent ingress of insects, rodents and moisture into the wall cavity.
- Includes an attractive cap to shield the exterior wall penetration from weather conditions and provide a professional finish.
- Economically priced.
- Universal – fits all makes of ductless evaporators.

from
MARKETAIR Inc.

*U.S. PATENT NO. 9,989,268

SUPER SLEEVE

- Kit includes a weather cap to protect against weather conditions (not necessary if installing a lineset cover assembly).
- Compatible with all makes of Lineset covers 4" and over.
- Built to suit all construction norms & common practices in the USA & CANADA.
- 3" ID provides ample room for drain hose, cable and lineset with ½" insulation.
- No temporary support bracket necessary to support evaporator on interior wall during installation.
- Kit contains all components required including Stainless steel mounting screws.



SUPER SLEEVE is just a better way to retrofit a wall mounted ductless evaporator.

U.S. PATENT NO. 9,989,268

Exclusive Master Distributor for the USA & Canada:

Available from:



MARKETAIR Inc.

P.O. Box 10330, New Brunswick, NJ 08906 USA
 ph: 732-985-8226 • fax: 732-985-2134 • info@marketair.com
www.marketair.com

