

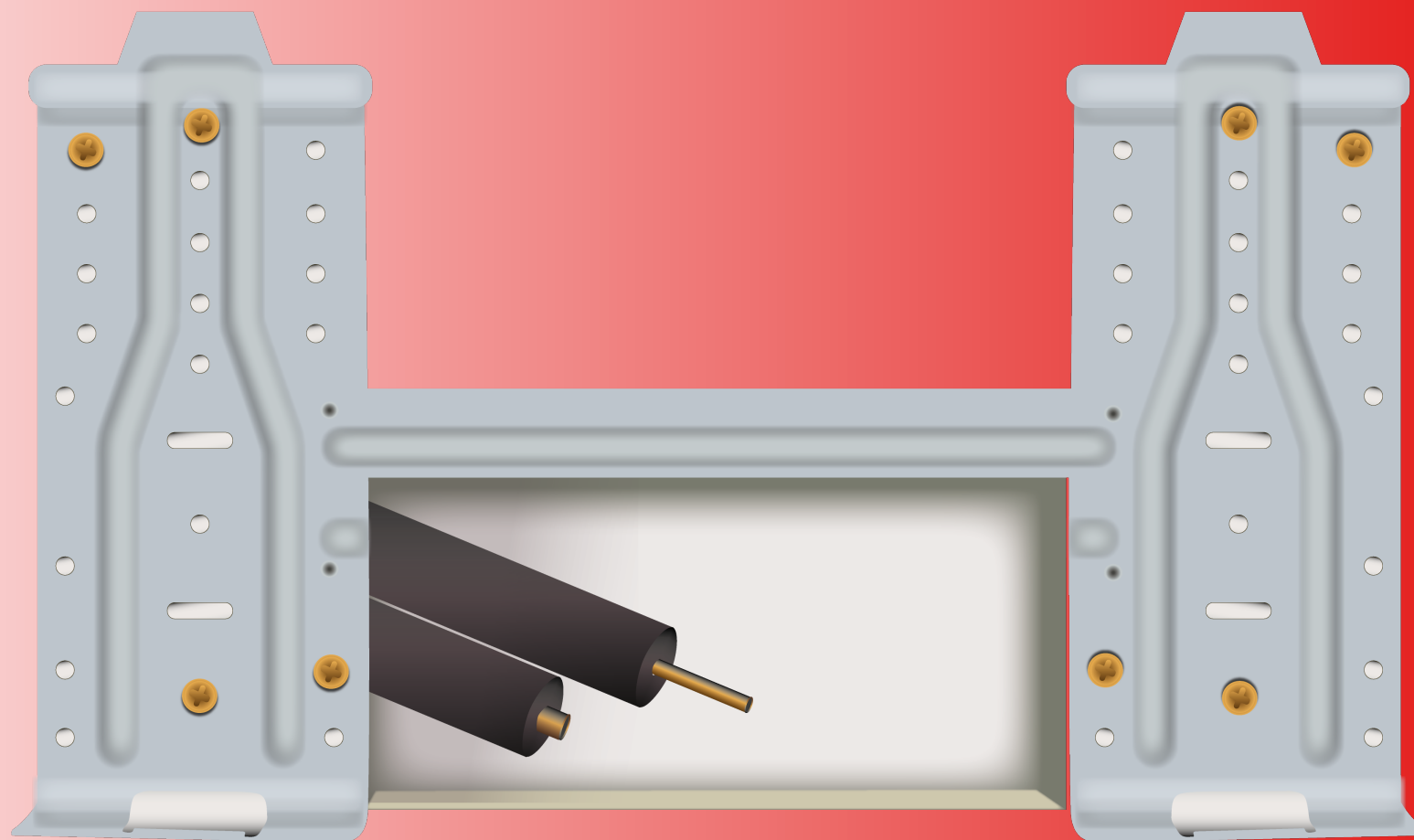


HOW TO USE

WIZ

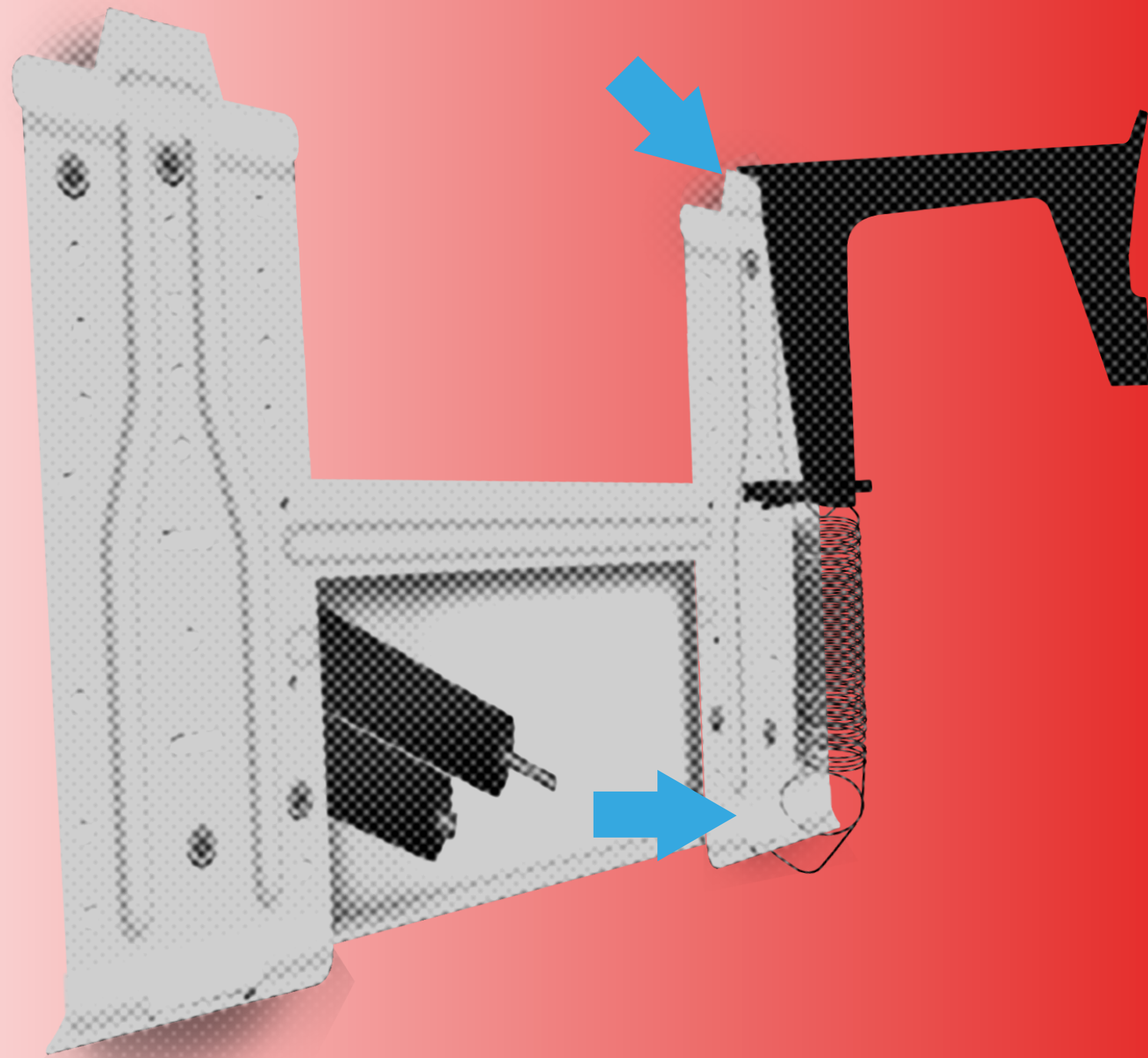
mini split smart brackets





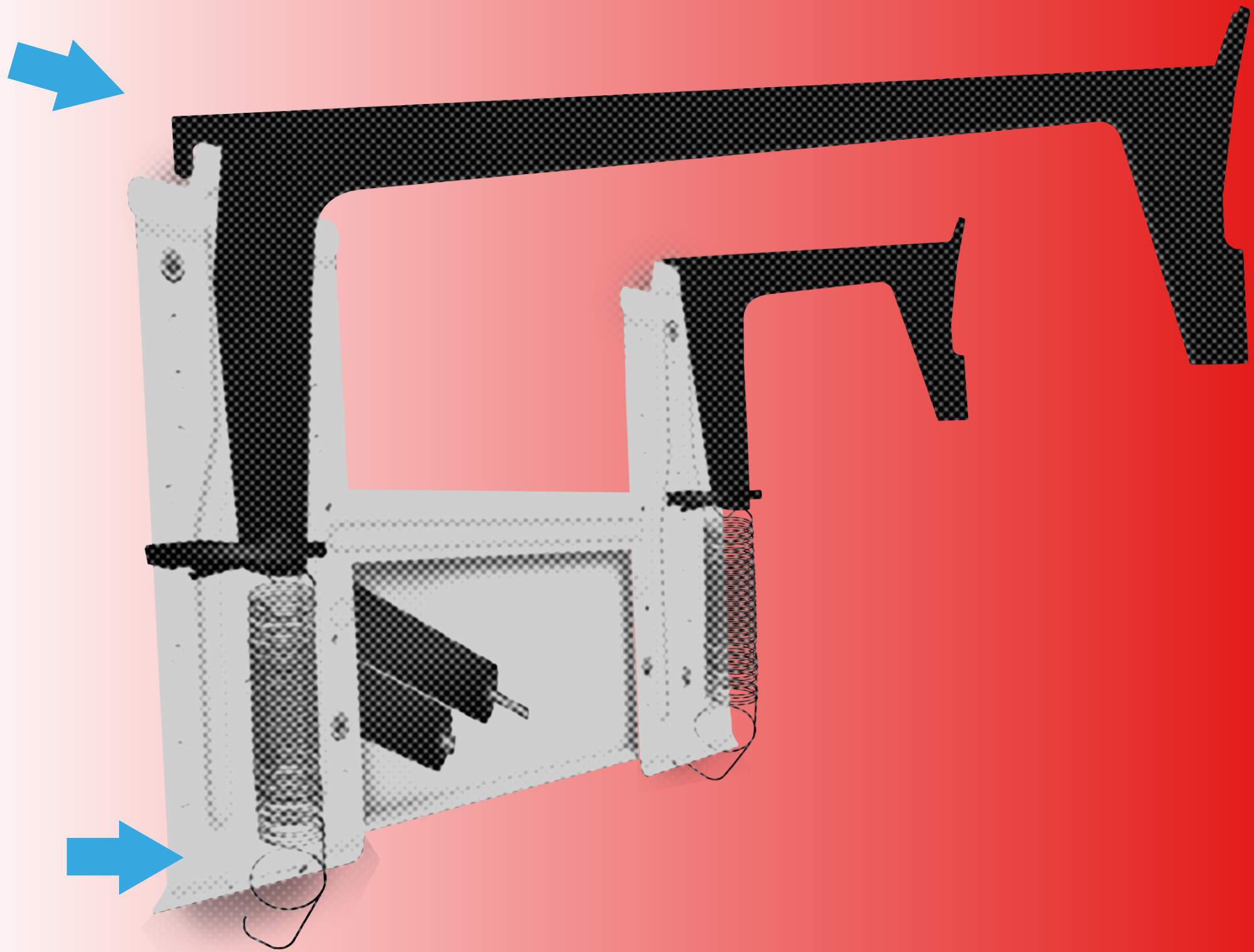
1

Firmly secure the mounting plate on the wall. All screws must be fastened and the mounting plate must be correctly aligned.



2

Place the SMALL bracket in the superior RIGHT hook of the plate (from viewer's position), and secure the spring on the bottom hook of the plate.



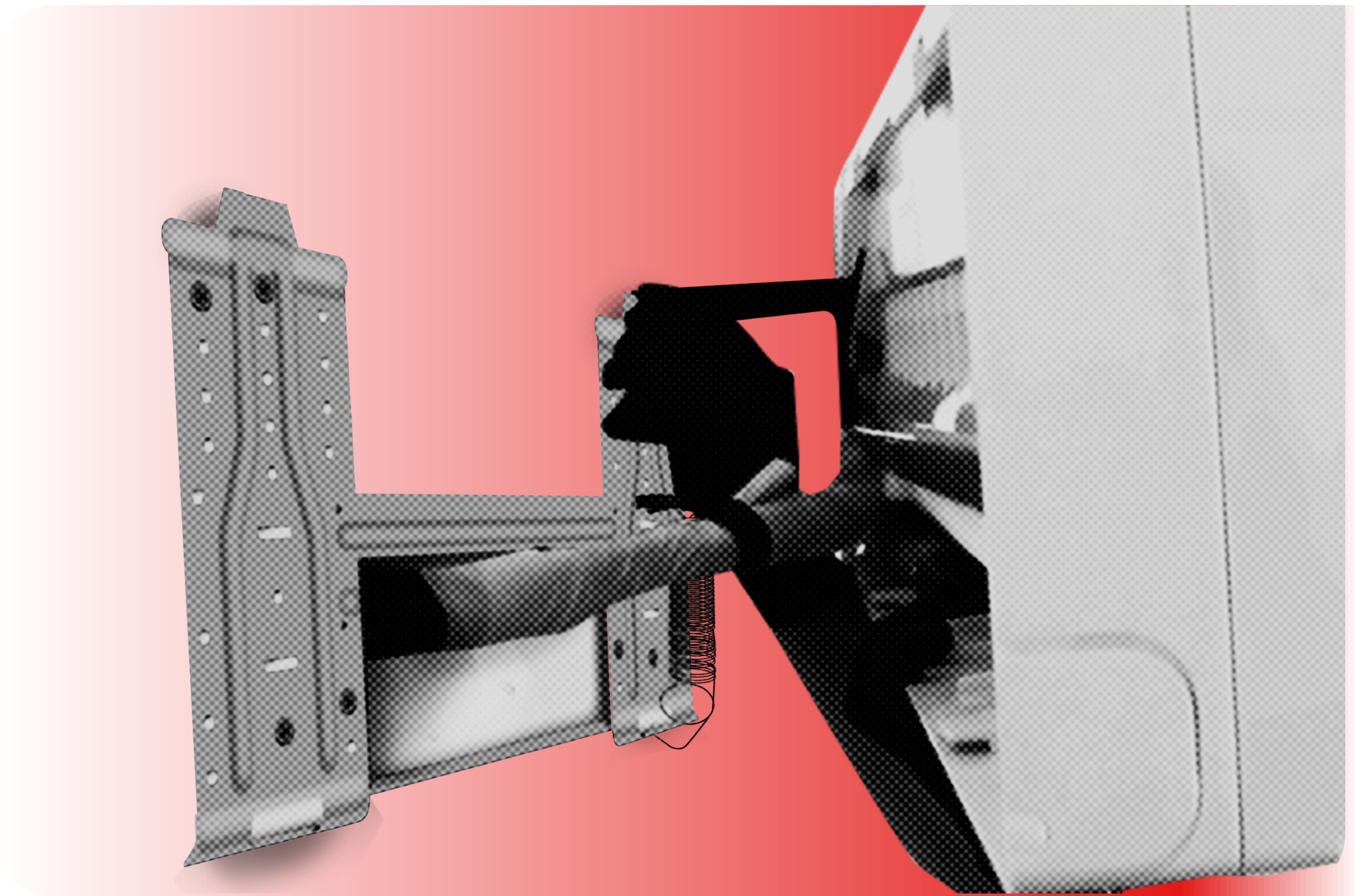
3

Place the LARGE bracket in the superior LEFT hook of the plate (from viewer's position), and secure the spring on the bottom hook of the plate.



4

After checking WIZ brackets are firmly fastened, hook the evaporator unit to the WIZ brackets using the unit's proper housing grooves.



5

TO REMOVE:
Holding the unit with one hand, remove the brackets and secure the unit to the mounting plate.