



# MARKETAIR

A WORLD OF INNOVATION

## The Source for Unique Installation Accessories for Ducted and Minisplit/VRF/VRV Systems

**MAY 1, 2026**

**CATALOG FOR COMMERCIAL DUCTLESS/VRF/VRV SYSTEMS**

**LINESET MANAGEMENT SYSTEMS BY INABA DENKO**

### RD Series

Heavy Duty Metal Duct System to Protect Rooftop Linesets



**PAGE 2**

### PD Series

Medium duty PVC Duct System to Conceal, Protect & Beautify Exposed Linesets on Rooftops & Other Applications



**PAGE 16**

### MD Series

Stylish PVC Lineset Enclosure System Conceals Exposed Interior Linesets



**PAGE 20**

### TKL SERIES

An Innovative Support System for Vertical Linesets to Reduce Damage Due to Expansion & Contraction



**PAGE 23**

### ACCESSORIES FOR DUCTLESS SYSTEMS

#### EasyCollar

**PAGE 26**

Universal Cassette Collars for a Professional Finish

#### SPEEDSTICK

**PAGE 27**

Smart Condensate Overflow Switch for Wall Mounted Ductless Air Handlers



## MARKETAIR

A WORLD OF INNOVATION

Components for Environmental Systems • Marketing Consultants to the HVAC Industry

MarketAir, Inc. P.O. Box 10330, New Brunswick, NJ 08906 USA • info@marketair.com • www.marketair.com

732-985-8226 • fax: 732-985-2134 • mobile: 908-400-6888



# RD Series

## An Innovative Metal Lineset Enclosure System for Commercial VRF/VRV Systems

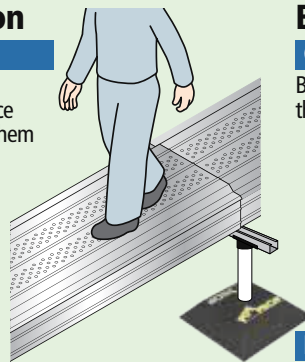
- The last word in lineset enclosures. Provides an aesthetic and professional finish to any exposed rooftop lineset layout.
- Protects the linesets from mechanical and weather damage.
- Preserves the energy efficiency of the air conditioning system.
- The ultimate blend of form and function.



### TOUGH Long Lasting Rugged Protection

#### Load Capacity

The RD Series, WALKWAY TYPE (RDW) has an embossed anti-slip surface. This permits maintenance personnel to walk on the ducts without damaging them or the linesets during routine maintenance of any mechanical equipment on the rooftop.



#### Durability & Weather Resistance

RD Series is fabricated from steel which is treated with a Zinc/Aluminum/Magnesium coating, which offers superior resistance over stainless steel even in highly corrosive atmospheres such as sea air.

#### Scratch /Abrasion Resistance

The coating layer contains a higher proportion of Magnesium and is more rigid than that of a standard galvanized or Galvalum sheet. It offers superior scratch/abrasion resistance as well as advanced corrosion resistance to ensure that any scratches or cut edges will be covered by a zinc protective film in a few months.

### ATTRACTIVE Beautiful Finish & Style

#### Sophisticated

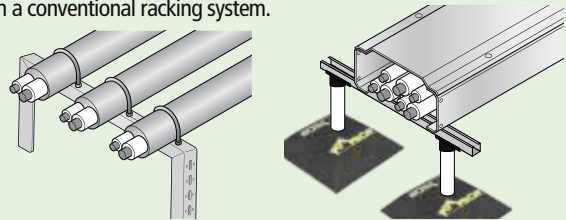
The high quality finish of the RD Series blends perfectly with commercial buildings. The exterior of any building will be enhanced by the sleek appearance of the finished installation, which can be painted to match the building color scheme.



### FUNCTIONAL Excellent Performance

#### Compact

Because of its compact design, the RD Series requires less space than a conventional racking system.

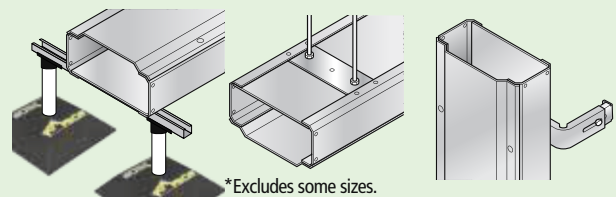


#### Easy Installation

No special tools are required to assemble and connect the RD Series.

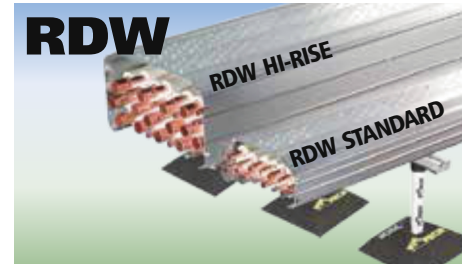
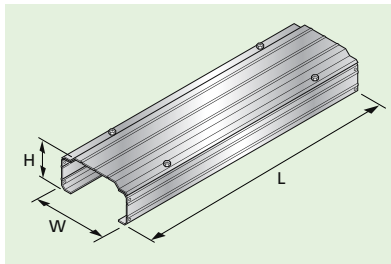
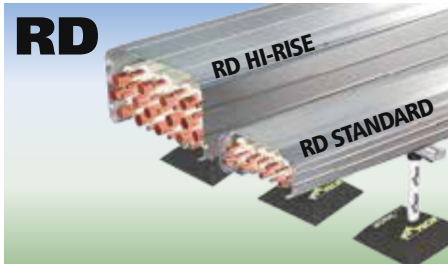
#### Multiple Applications

Use of the many fittings available such as risers, vertical mountings and underslab mountings enables the RD Series to be easily customized on site during the installation process and to be installed in any orientation.\*



\*Excludes some sizes.

**RD Series**



**RD • STANDARD DUCT SERIES**

| ITEM NO.       | LENGTH (L) | WIDTH (W) | HEIGHT (H) | S/NS/SO |
|----------------|------------|-----------|------------|---------|
| RD-150-05-ZA   | 20"        | 5.9"      | 4.4"       | S       |
| RD-150-1-ZA    | 40"        | 5.9"      | 4.4"       | S       |
| RD-150-A-ZA    | 78.75"     | 5.9"      | 4.4"       | S       |
| RD-300-03-A-ZA | 12"        | 11.8"     | 5.3"       | S       |
| RD-300-05-ZA   | 20"        | 11.8"     | 5.3"       | S       |
| RD-300-1-ZA    | 40"        | 11.8"     | 5.3"       | S       |
| RD-300-ZA      | 78.75"     | 11.8"     | 5.3"       | S       |
| RD-450-ZA      | 78.75"     | 17.7"     | 5.3"       | S       |
| RD-600-ZA      | 78.75"     | 23.6"     | 5.3"       | S       |
| RD-900-ZA      | 78.75"     | 35.4"     | 5.3"       | SO      |

**RDH • HI-RISE DUCT SERIES**

| ITEM NO.   | LENGTH (L) | WIDTH (W) | HEIGHT (H) | S/NS/SO |
|------------|------------|-----------|------------|---------|
| RD-300H-ZA | 78.75"     | 11.8"     | 10"        | NS      |
| RD-450H-ZA | 78.75"     | 17.7"     | 10"        | NS      |
| RD-600H-ZA | 78.75"     | 23.6"     | 10"        | NS      |
| RD-900H-ZA | 78.75"     | 35.4"     | 10"        | SO      |

- All duct to duct joints and those between ducts and fittings must be made using Model RSJ couplers.
- For vertical applications, to compensate for the extra stresses imposed by the combined weight load of the duct, and the larger amount of linesets it contains, Hi-Rise ducts, RD-600H and RD-900H should be mounted flat on the wall surface wherever possible.
- When RD-900H is mounted flat on the wall surface, vertical elbows RCI-900H and RCO-900H can not be used due to space restrictions.

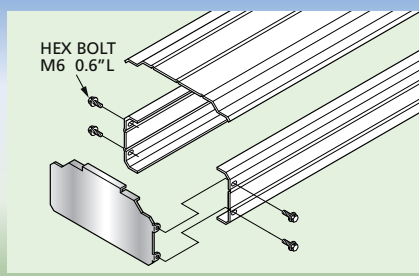
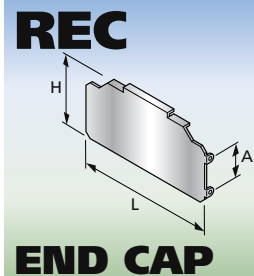
**RDW • WALKWAY STANDARD DUCT SERIES**

| ITEM NO.   | LENGTH (L) | WIDTH (W) | HEIGHT (H) | S/NS/SO |
|------------|------------|-----------|------------|---------|
| RDW-300-ZA | 78.75"     | 11.8"     | 5.3"       | SO      |
| RDW-450-ZA | 78.75"     | 17.7"     | 5.3"       | SO      |
| RDW-600-ZA | 78.75"     | 23.6"     | 5.3"       | SO      |
| RDW-900-ZA | 78.75"     | 35.4"     | 5.3"       | SO      |

**RDWH • WALKWAY HI-RISE DUCT SERIES**

| ITEM NO.    | LENGTH (L) | WIDTH (W) | HEIGHT (H) | S/NS/SO |
|-------------|------------|-----------|------------|---------|
| RDW-300H-ZA | 78.75"     | 11.8"     | 10"        | SO      |
| RDW-450H-ZA | 78.75"     | 17.7"     | 10"        | SO      |
| RDW-600H-ZA | 78.75"     | 23.6"     | 10"        | SO      |
| RDW-900H-ZA | 78.75"     | 35.4"     | 10"        | SO      |

- If job conditions mandate RD-600H or RD-900H duct to be mounted off the wall, extra heavy brackets are necessary. Contact MarketAir for further details.
- Also, to reduce potential wind lift, the bottom of these ducts cannot be left open and a baseplate must be fitted. Contact MarketAir for further details.
- Models RD-600H & RD-900H are supplied standard with a reinforced cover plate and a reinforced coupling plate.
- On Model RD-450H the reinforced cover plate is an optional accessory.
- Do not use Model RDW or RDWH (walkway type) on vertical surfaces.
- All sizes of Model RDW (walkway type) are supplied with a reinforced cover plate.



**S=Stock Item** **NS=Non-Stock Item** **SO=Special Order**  
 6 WEEKS DELIVERY 16 WEEKS DELIVERY

**REC - STANDARD DUCT SERIES**

| ITEM NO.     | L     | H    | A    | S/NS/SO |
|--------------|-------|------|------|---------|
| REC-150-ZA   | 5.9"  | 4.4" | 2.4" | S       |
| REC-300-A-ZA | 11.7" | 5"   | 2.4" | S       |
| REC-450-A-ZA | 17.6" | 5"   | 2.4" | S       |
| REC-600-A-ZA | 23.5" | 5"   | 2.4" | S       |
| REC-900-ZA   | 35.3" | 5"   | 2.4" | SO      |

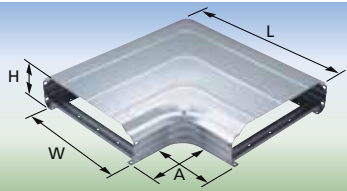
**REC - HI-RISE DUCT SERIES**

| ITEM NO.      | L     | H    | A    | S/NS/SO |
|---------------|-------|------|------|---------|
| REC-300H-A-ZA | 11.7" | 9.7" | 5.5" | NS      |
| REC-450H-A-ZA | 17.6" | 9.7" | 5.5" | NS      |
| REC-600H-A-ZA | 23.5" | 9.7" | 5.5" | NS      |
| REC-900H-ZA   | 35.3" | 9.7" | 5.5" | SO      |

**BEFORE INSTALLATION, REFER TO THE RD SERIES SUPPLEMENTARY NOTES ON PAGES 12, 13, 14 & 15, AS WELL AS THE INSTALLATION MANUAL AVAILABLE ON OUR WEBSITE AT WWW.MARKETAIR.COM.**

## RD Series

### RE



### 90° FLAT ELL

#### RE • STANDARD DUCT SERIES

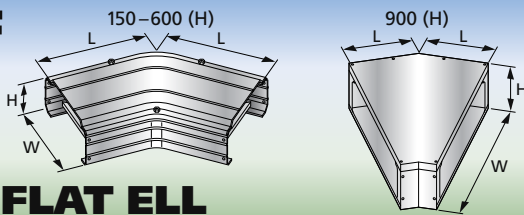
| ITEM NO.    | WIDTH (W) | HEIGHT (H) | LENGTH (L) | A    | S/NS/SO |
|-------------|-----------|------------|------------|------|---------|
| RE-150-ZA   | 5.9"      | 4.4"       | 9.8"       | 3.9" | S       |
| RE-300-A-ZA | 11.8"     | 5.3"       | 19.7"      | 5.3" | S       |
| RE-450-A-ZA | 17.7"     | 5.3"       | 25.6"      | 5.3" | S       |
| RE-600-A-ZA | 23.6"     | 5.3"       | 31.5"      | 5.3" | S       |

#### RE • HI-RISE DUCT SERIES

| ITEM NO.     | WIDTH (W) | HEIGHT (H) | LENGTH (L) | A    | S/NS/SO |
|--------------|-----------|------------|------------|------|---------|
| RE-300H-A-ZA | 11.8"     | 10"        | 19.7"      | 7.9" | NS      |
| RE-450H-A-ZA | 17.7"     | 10"        | 25.6"      | 7.9" | NS      |
| RE-600H-A-ZA | 23.6"     | 10"        | 31.5"      | 7.9" | NS      |

- Model RE-600H is supplied standard with a reinforced cover plate and a reinforced coupling plate. • On Model RE-450H the reinforced cover plate is an optional accessory.
- In the RD-900 size, the model RE 90° Ell is not available.
- To create an elbow for standard duct RD-900, use a model RX-900 Cross. • To create an elbow for Hi-Rise duct RD-900H, use a model RX-900H Cross.

### RF



### 45° FLAT ELL

#### RF • STANDARD DUCT SERIES

| ITEM NO.    | WIDTH (W) | HEIGHT (H) | LENGTH (L) | S/NS/SO |
|-------------|-----------|------------|------------|---------|
| RF-150-ZA   | 5.9"      | 4.4"       | 5.2"       | S       |
| RF-300-A-ZA | 11.8"     | 5.3"       | 12.9"      | S       |
| RF-450-A-ZA | 17.7"     | 5.3"       | 15.5"      | S       |
| RF-600-A-ZA | 23.6"     | 5.3"       | 18"        | S       |
| RF-900-ZA   | 38.6"     | 6.7"       | 22"        | SO      |

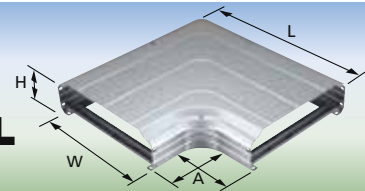
#### RF • HI-RISE DUCT SERIES

| ITEM NO.     | WIDTH (W) | HEIGHT (H) | LENGTH (L) | S/NS/SO |
|--------------|-----------|------------|------------|---------|
| RF-300H-A-ZA | 11.8"     | 10"        | 12.9"      | NS      |
| RF-450H-A-ZA | 17.7"     | 10"        | 15.5"      | NS      |
| RF-600H-A-ZA | 23.6"     | 10"        | 18"        | NS      |
| RF-900H-ZA   | 38.6"     | 11.4"      | 22"        | SO      |

- Model RF-600H is supplied standard with a reinforced cover plate and a reinforced joining plate. • On Model RF-450H the reinforced cover plate is an optional accessory.
- On the model RF-900H 45° Ell, the elbow height is greater than duct height so the support bracket height must be reduced by 1.2" to compensate for this.

**BEFORE INSTALLATION, REFER TO THE RD SERIES SUPPLEMENTARY NOTES ON PAGES 12, 13, 14 & 15, AS WELL AS THE INSTALLATION MANUAL AVAILABLE ON OUR WEBSITE AT [WWW.MARKETAIR.COM](http://WWW.MARKETAIR.COM).**

### REW



### 90° FLAT ELL WALKWAY

#### REW • WALKWAY STANDARD DUCT SERIES

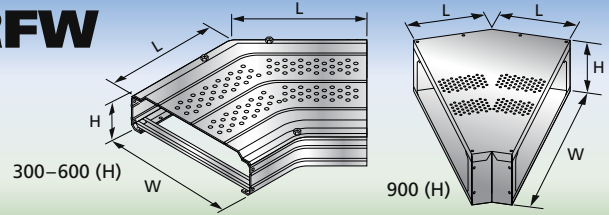
| ITEM NO.   | WIDTH (W) | HEIGHT (H) | LENGTH (L) | A    | S/NS/SO |
|------------|-----------|------------|------------|------|---------|
| REW-300-ZA | 11.8"     | 5.3"       | 19.7"      | 7.9" | SO      |
| REW-450-ZA | 17.7"     | 5.3"       | 25.6"      | 7.9" | SO      |
| REW-600-ZA | 23.6"     | 5.3"       | 31.5"      | 7.9" | SO      |

#### REW • WALKWAY HI-RISE DUCT SERIES

| ITEM NO.    | WIDTH (W) | HEIGHT (H) | LENGTH (L) | A    | S/NS/SO |
|-------------|-----------|------------|------------|------|---------|
| REW-300H-ZA | 11.8"     | 10"        | 19.7"      | 7.9" | SO      |
| REW-450H-ZA | 17.7"     | 10"        | 25.6"      | 7.9" | SO      |
| REW-600H-ZA | 23.6"     | 10"        | 31.5"      | 7.9" | SO      |

- Model REW-600H is supplied standard with a reinforced joining plate. • All sizes of Model REW (walkway type) are supplied with a reinforced cover plate. • In the RDW-900H size the model REW-900 90° Ell is not available. • To create an elbow for RDW-900 or RDW-900H Walkway duct use a model RXW-900H Cross as a standard height Cross is not available.

### RFW



### 45° FLAT ELL WALKWAY

#### RFW • WALKWAY STANDARD DUCT SERIES

| ITEM NO.   | WIDTH (W) | HEIGHT (H) | LENGTH (L) | S/NS/SO |
|------------|-----------|------------|------------|---------|
| RFW-300-ZA | 11.8"     | 5.3"       | 12.9"      | SO      |
| RFW-450-ZA | 17.7"     | 5.3"       | 15.5"      | SO      |
| RFW-600-ZA | 23.6"     | 5.3"       | 18"        | SO      |
| RFW-900-ZA | 38.6"     | 6.7"       | 22"        | SO      |

#### RFW • WALKWAY HI-RISE DUCT SERIES

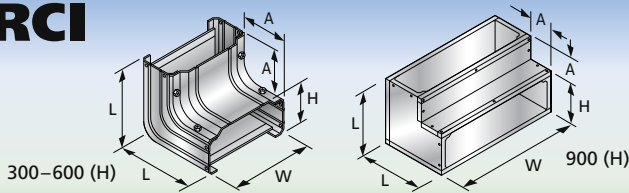
| ITEM NO.    | WIDTH (W) | HEIGHT (H) | LENGTH (L) | S/NS/SO |
|-------------|-----------|------------|------------|---------|
| RFW-300H-ZA | 11.8"     | 10"        | 12.9"      | SO      |
| RFW-450H-ZA | 17.7"     | 10"        | 15.5"      | SO      |
| RFW-600H-ZA | 23.6"     | 10"        | 18"        | SO      |
| RFW-900H-ZA | 38.6"     | 11.4"      | 22"        | SO      |

- Model RFW-600H is supplied with a reinforced joining plate. • All sizes of Model RFW (walkway type) are supplied with a reinforced cover plate. • On the model RFW-900H 45° Ell, the elbow height is greater than duct height so the support bracket height must be reduced by 1.2" to compensate for this.

**S=Stock Item NS=Non-Stock Item SO=Special Order**  
6 WEEKS DELIVERY 16 WEEKS DELIVERY

**RD Series**

**RCI**



**90° INSIDE VERTICAL ELL**

**RCI • STANDARD DUCT SERIES**

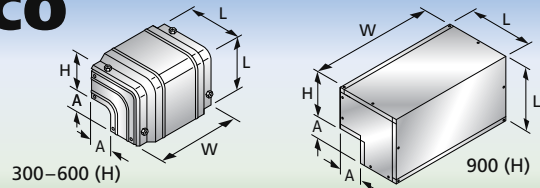
| ITEM NO.   | WIDTH (W) | HEIGHT (H) | LENGTH (L) | A  | S/NS/SO |
|------------|-----------|------------|------------|----|---------|
| RCI-300-ZA | 11.8"     | 5.3"       | 10.2"      | 5" | S       |
| RCI-450-ZA | 17.7"     | 5.3"       | 10.2"      | 5" | S       |
| RCI-600-ZA | 23.6"     | 5.3"       | 10.2"      | 5" | S       |
| RCI-900-ZA | 38.6"     | 6.7"       | 14.9"      | 7" | SO      |

**RCI • HI-RISE DUCT SERIES**

| ITEM NO.    | WIDTH (W) | HEIGHT (H) | LENGTH (L) | A    | S/NS/SO |
|-------------|-----------|------------|------------|------|---------|
| RCI-300H-ZA | 11.8"     | 10"        | 15"        | 5.1" | NS      |
| RCI-450H-ZA | 17.7"     | 10"        | 15"        | 5.1" | NS      |
| RCI-600H-ZA | 23.6"     | 10"        | 15"        | 5.1" | NS      |
| RCI-900H-ZA | 38.6"     | 11.4"      | 19.6"      | 7"   | SO      |

•To connect between Ell parts on size RD-900H, use RXJ Coupler, not shown, contact MarketAir for further details.

**RCO**



**90° OUTSIDE VERTICAL ELL**

**RCO • STANDARD DUCT SERIES**

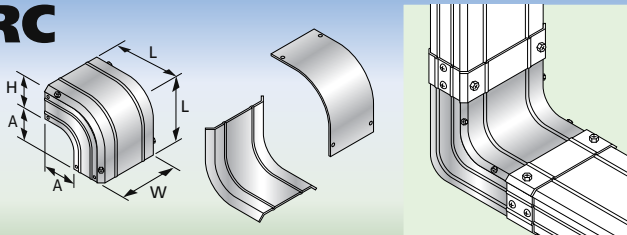
| ITEM NO.   | WIDTH (W) | HEIGHT (H) | LENGTH (L) | A    | S/NS/SO |
|------------|-----------|------------|------------|------|---------|
| RCO-300-ZA | 11.8"     | 5.3"       | 11.1"      | 5.9" | S       |
| RCO-450-ZA | 17.7"     | 5.3"       | 11.1"      | 5.9" | S       |
| RCO-600-ZA | 23.6"     | 5.3"       | 11.1"      | 5.9" | S       |
| RCO-900-ZA | 38.6"     | 6.7"       | 14.9"      | 7"   | SO      |

**RCO • HI-RISE DUCT SERIES**

| ITEM NO.    | WIDTH (W) | HEIGHT (H) | LENGTH (L) | A    | S/NS/SO |
|-------------|-----------|------------|------------|------|---------|
| RCO-300H-ZA | 11.8"     | 10"        | 15.8"      | 5.9" | NS      |
| RCO-450H-ZA | 17.7"     | 10"        | 15.8"      | 5.9" | NS      |
| RCO-600H-ZA | 23.6"     | 10"        | 15.8"      | 5.9" | NS      |
| RCO-900H-ZA | 38.6"     | 11.4"      | 19.6"      | 7"   | SO      |

•To connect between Ell parts on size RD-900H, use RXJ Coupler, not shown, contact MarketAir for further details.

**RC**



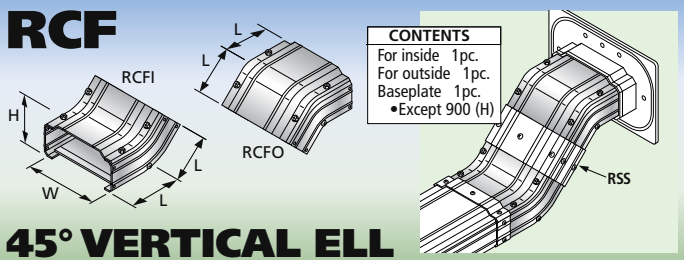
**90° VERTICAL ELL (SIZE 150)**

**RC • STANDARD DUCT SERIES**

| ITEM NO.  | WIDTH (W) | HEIGHT (H) | LENGTH (L) | A    | S/NS/SO |
|-----------|-----------|------------|------------|------|---------|
| RC-150-ZA | 5.9"      | 4.4"       | 8.3"       | 3.9" | S       |

•Model RC-150-ZA is available only in the 150 size and includes 2 extra components which enable it to be used as an inside vertical Ell or an outside vertical Ell.

**RCF**



**45° VERTICAL ELL**

•Shown with RSS Telescopic Coupler.

**RCF • STANDARD DUCT SERIES**

| ITEM NO.   | WIDTH (W) | HEIGHT (H) | LENGTH (L) | S/NS/SO |
|------------|-----------|------------|------------|---------|
| RCF-150-ZA | 5.9"      | 4.4"       | 4.4"       | S       |
| RCF-300-ZA | 11.8"     | 5.3"       | 5.8"       | S       |
| RCF-450-ZA | 17.7"     | 5.3"       | 5.8"       | S       |
| RCF-600-ZA | 23.6"     | 5.3"       | 5.8"       | S       |

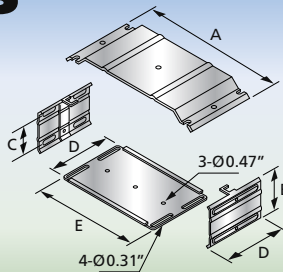
**RCF • HI-RISE DUCT SERIES**

| ITEM NO.    | WIDTH (W) | HEIGHT (H) | LENGTH (L) | S/NS/SO |
|-------------|-----------|------------|------------|---------|
| RCF-300H-ZA | 11.8"     | 10"        | 7.8"       | NS      |
| RCF-450H-ZA | 17.7"     | 10"        | 7.8"       | NS      |
| RCF-600H-ZA | 17.7"     | 10"        | 7.8"       | NS      |
| RCF-900H-ZA | 38.6"     | 10"        | 7.8"       | SO      |

**S=Stock Item** **NS=Non-Stock Item** **SO=Special Order**  
 6 WEEKS DELIVERY 16 WEEKS DELIVERY

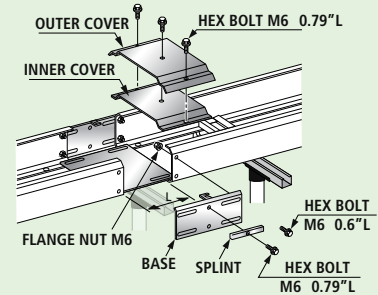
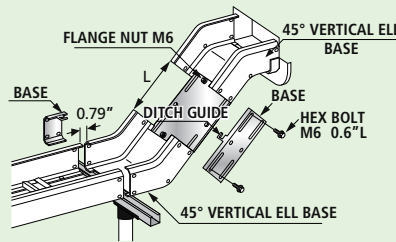
**BEFORE INSTALLATION, REFER TO THE RD SERIES SUPPLEMENTARY NOTES ON PAGES 12, 13, 14 & 15, AS WELL AS THE INSTALLATION MANUAL AVAILABLE ON OUR WEBSITE AT WWW.MARKETAIR.COM.**

**RSS**



**TELESCOPIC COUPLER**

**LAYOUT**



**RSS • STANDARD DUCT SERIES**

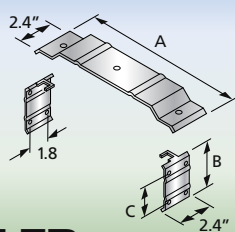
| ITEM NO.       | A     | B    | C    | D    | E     | L        | S/NS/SO |
|----------------|-------|------|------|------|-------|----------|---------|
| RSS-300-1-A-ZA | 11.6" |      |      |      | 10.5" |          | S       |
| RSS-450-1-A-ZA | 17.5" | 4.1" | 2.4" | 6.3" | 16.4" | 0.8-4.7" | S       |
| RSS-600-1-A-ZA | 23.4" |      |      |      | 22.3" |          | S       |
| RSS-900-1-A-ZA | 35.2" |      |      |      | 34.1" |          | SO      |

**RSS • HI-RISE DUCT SERIES**

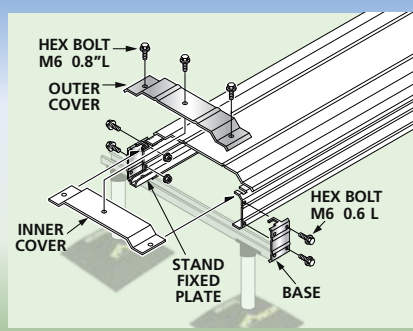
| ITEM NO.        | A     | B    | C    | D    | E     | L        | S/NS/SO |
|-----------------|-------|------|------|------|-------|----------|---------|
| RSS-300H-1-A-ZA | 11.6" |      |      |      | 10.5" |          | NS      |
| RSS-450H-1-A-ZA | 17.5" | 8.9" | 5.5" | 6.3" | 16.4" | 0.8-4.7" | NS      |
| RSS-600H-1-A-ZA | 23.4" |      |      |      | 22.3" |          | NS      |
| RSS-900H-1-A-ZA | 35.2" |      |      |      | 34.1" |          | SO      |

- When connecting RSS to RD duct or RCF ell, the included baseplate can be used.  
If the RSS needs to be connected to any other fitting a baseplate will have to be fabricated on site.
- RSS Telescopic couplers for the Walkway series are a non standard item and are only available on special order.**
- It is possible to connect an RSS Telescopic Coupler into a Walkway Ell if it is extended to its maximum length and is attached using the outer edges of the slotted fixing holes along its sides and bottom.

**RSJ-A**



**COUPLER**



This Coupler is used when joining cut and uncut duct lengths to each other and to all other fittings. Refer to relevant technical publication on our website.

**RSJ-A • STANDARD DUCT SERIES**

| ITEM NO.     | A     | B    | C    | S/NS/SO |
|--------------|-------|------|------|---------|
| RSJ-150-A-ZA | 6.1"  | 4.1" | -    | S       |
| RSJ-300-A-ZA | 11.6" | 4.1" | 2.4" | S       |
| RSJ-450-A-ZA | 17.5" | 4.1" | 2.4" | S       |
| RSJ-600-A-ZA | 23.4" | 4.1" | 2.4" | S       |
| RSJ-900-A-ZA | 35.2" | 4.1" | 2.4" | SO      |

**RSJ-A • HI-RISE DUCT SERIES**

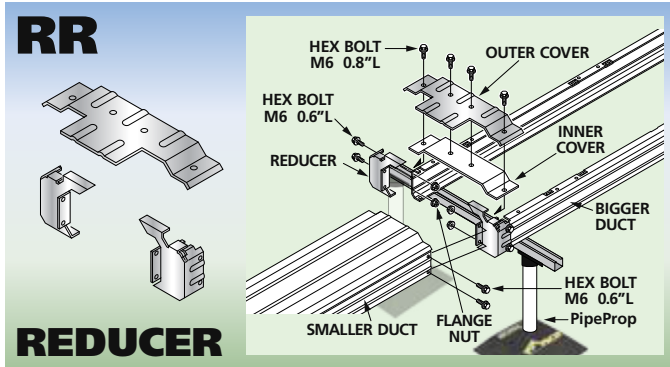
| ITEM NO.      | A     | B    | C    | S/NS/SO |
|---------------|-------|------|------|---------|
| RSJ-300H-A-ZA | 11.6" | 8.9" | 5.5" | NS      |
| RSJ-450H-A-ZA | 17.5" | 8.9" | 5.5" | NS      |
| RSJ-600H-A-ZA | 23.4" | 8.9" | 5.5" | NS      |
| RSJ-900H-A-ZA | 35.2" | 8.9" | 5.5" | SO      |

- To attach 900H ells, use only RXJ coupler, not shown. Contact Marketair for further details.

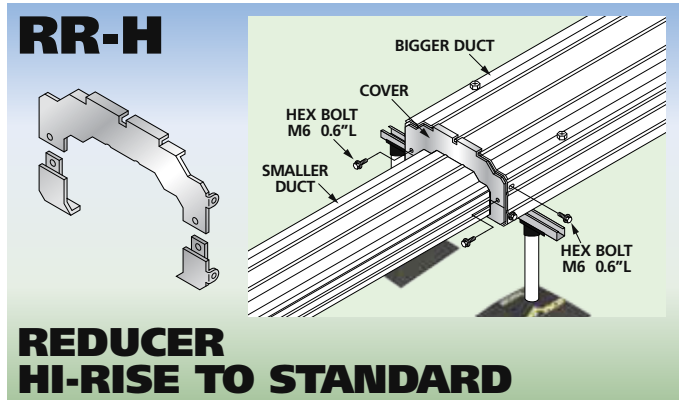
**S=Stock Item** **NS=Non-Stock Item** **SO=Special Order**  
 6 WEEKS DELIVERY      16 WEEKS DELIVERY

**BEFORE INSTALLATION, REFER TO THE RD SERIES SUPPLEMENTARY NOTES ON PAGES 12, 13, 14 & 15, AS WELL AS THE INSTALLATION MANUAL AVAILABLE ON OUR WEBSITE AT WWW.MARKETAIR.COM.**

# RD Series



## REDUCER



## REDUCER HI-RISE TO STANDARD

### RR • REDUCER FOR STANDARD DUCT SERIES

| ITEM NO.        | S/NS/SO |
|-----------------|---------|
| RR-300-150-ZA   | S       |
| RR-450-300-A-ZA | S       |
| RR-600-300-A-ZA | S       |
| RR-600-450-A-ZA | S       |
| RR-900-600-A-ZA | SO      |

### RR • REDUCER FOR HI-RISE DUCT SERIES

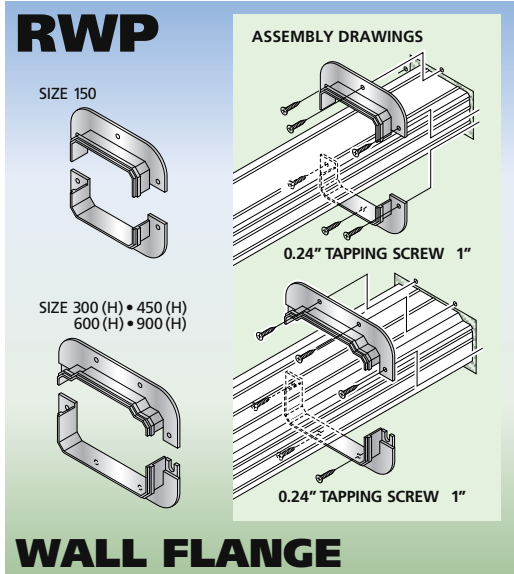
| ITEM NO.          | S/NS/SO |
|-------------------|---------|
| RR-450H-300H-A-ZA | NS      |
| RR-600H-300H-A-ZA | NS      |
| RR-600H-450H-A-ZA | NS      |
| RR-900H-600H-A-ZA | SO      |

### RR • REDUCER FOR HI-RISE SERIES TO STANDARD DUCT SERIES

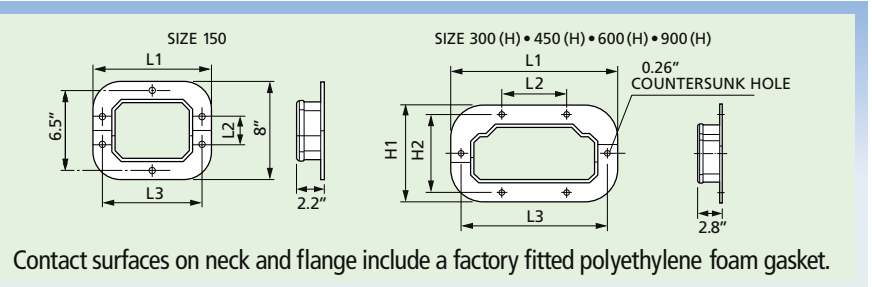
| ITEM NO.         | S/NS/SO |
|------------------|---------|
| RR-300H-150-ZA   | NS      |
| RR-300H-300-A-ZA | NS      |
| RR-450H-300-ZA   | NS      |
| RR-450H-450-A-ZA | NS      |
| RR-600H-300-ZA   | NS      |
| RR-600H-450-A-ZA | NS      |
| RR-600H-600-A-ZA | NS      |

- Baseplate is not available for this model.
- For vertical applications, do not use brackets to mount RR Reducer.
- If the RR needs to be connected to any other fitting, a baseplate will have to be fabricated on site.
- Reducer for Standard duct is concentric.

- Reducer for Hi-Rise duct is supplied as concentric, however eccentric type is available on special order.



## WALL FLANGE



Contact surfaces on neck and flange include a factory fitted polyethylene foam gasket.

### RWP • STANDARD DUCT SERIES

| ITEM NO.     | L1    | L2    | L3    | H1   | H2   | S/NS/SO |
|--------------|-------|-------|-------|------|------|---------|
| RWP-150-ZA   | 9.5"  | 2.2"  | 8"    | 8"   | 6.5" | S       |
| RWP-300-ZA   | 16.3" | 6.3"  | 14.3" | 9.5" | 7.6" | S       |
| RWP-450-ZA   | 22.2" | 12.2" | 20.2" | 9.5" | 7.6" | S       |
| RWP-600-ZA   | 28.1" | 15.7" | 26.1" | 9.5" | 7.6" | S       |
| RWP-900-A-ZA | 39.9" | 25.6" | 38"   | 9.5" | 7.6" | SO      |

- RWP Wall Flange can be used by itself when required, as well as in combination with the RSP Cut-Off Wall Plate.

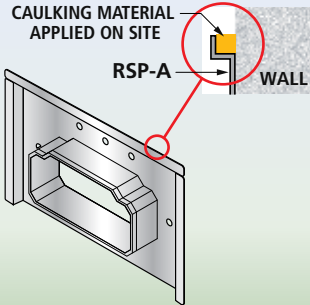
**S=Stock Item** **NS=Non-Stock Item** **SO=Special Order**  
 6 WEEKS DELIVERY      16 WEEKS DELIVERY

**BEFORE INSTALLATION, REFER TO THE RD SERIES SUPPLEMENTARY NOTES ON PAGES 12, 13, 14 & 15, AS WELL AS THE INSTALLATION MANUAL AVAILABLE ON OUR WEBSITE AT WWW.MARKETAIR.COM.**

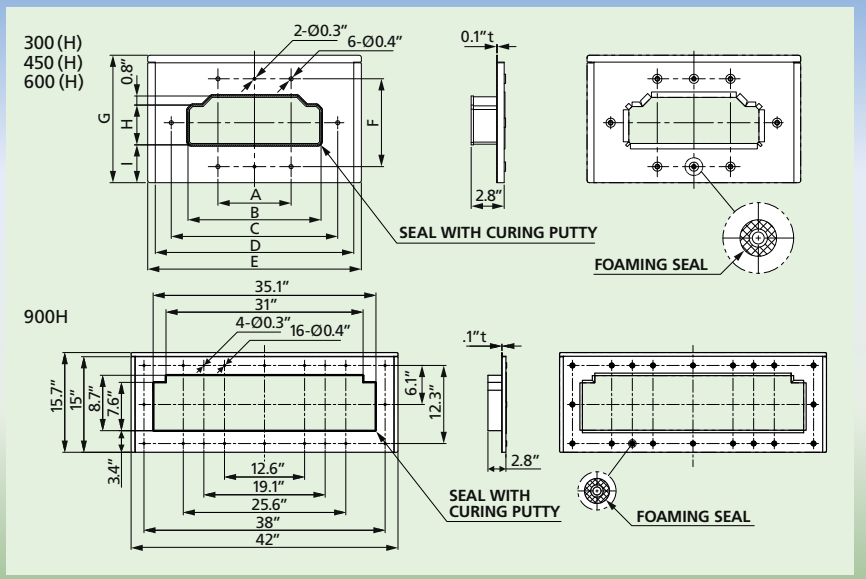
**RD Series**

**RSP-A**

Integral recess for sealant material facilitates caulking on site. Provides a **RELIABLE SEAL** and **IMPROVES DURABILITY**.



**CUT-OFF WALL PLATE**  
USE IN COMBINATION WITH RWP



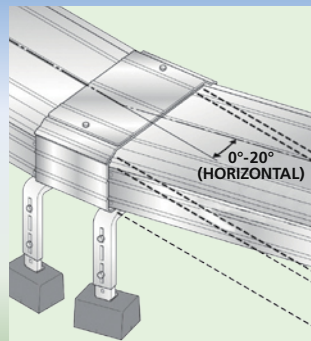
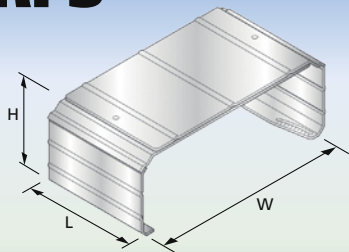
**RSP-A • STANDARD DUCT SERIES**

| ITEM NO.     | A     | B     | C     | D     | E     | F    | G   | H    | I    | S/NS/SO |
|--------------|-------|-------|-------|-------|-------|------|-----|------|------|---------|
| RSP-300-A-ZA | 6.3"  | 11.5" | 14.3" | 17.1" | 18.4" | 7.6" | 11" | 3.4" | 3.2" | S       |
| RSP-450-A-ZA | 12.2" | 17.4" | 20.2" | 23"   | 24.3" |      |     |      | 3.3" | S       |
| RSP-600-A-ZA | 15.7" | 23.3" | 26.1" | 28.9" | 30.2" |      |     |      | 3.3" | S       |

**RSP-A • HI-RISE DUCT SERIES**

| ITEM NO.      | A  | B     | C     | D     | E     | F     | G     | H    | I    | S/NS/SO |
|---------------|--|-------|-------|-------|-------|-------|-------|------|------|---------|
| RSP-300H-A-ZA | 6.3"   | 11.5" | 14.3" | 17.1" | 18.4" | 12.3" | 15.7" | 8.1" | 3.1" | NS      |
| RSP-450H-A-ZA | 12.2"  | 17.4" | 20.2" | 23"   | 24.3" |       |       |      | NS   |         |
| RSP-600H-A-ZA | 15.7"  | 23.3" | 26.1" | 28.9" | 30.2" |       |       |      | NS   |         |
| RSP-900H-A-ZA | REFER TO DIMENSIONAL DRAWING – CONTACT MARKETAIR FOR DETAILS |       |       |       |       |       |       |      |      | SO      |

**RFS**



**45° to 90°**  
**ADJUSTABLE FLAT ELL**

**RFS • STANDARD DUCT SERIES**

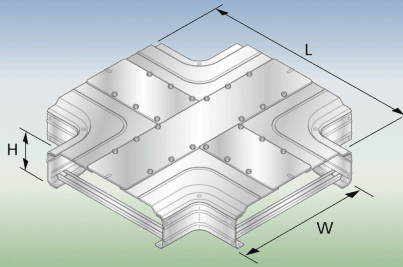
| ITEM NO.   | WIDTH (W) | HEIGHT (H) | LENGTH (L) | S/NS/SO |
|------------|-----------|------------|------------|---------|
| RFS-300-ZA | 12"       | 5.5"       | 9.5"       | S       |
| RFS-450-ZA | 17.8"     | 5.5"       | 11.5"      | S       |
| RFS-600-ZA | 23.8"     | 5.5"       | 13.5"      | S       |
| RFS-900-ZA | 38.6"     | 5.5"       | 17.3"      | SO      |

**S=Stock Item** **NS=Non-Stock Item** **SO=Special Order**  
6 WEEKS DELIVERY      16 WEEKS DELIVERY

**BEFORE INSTALLATION, REFER TO THE RD SERIES SUPPLEMENTARY NOTES ON PAGES 12, 13, 14 & 15, AS WELL AS THE INSTALLATION MANUAL AVAILABLE ON OUR WEBSITE AT [WWW.MARKETAIR.COM](http://WWW.MARKETAIR.COM).**

**RD Series**

**RXN**



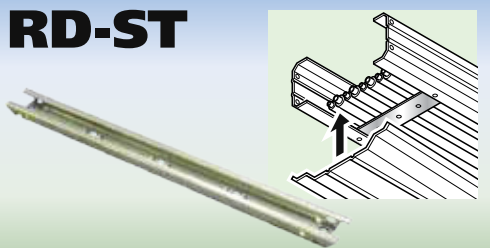
**CROSS**

**RXN • CROSS**

| ITEM NO.     | L     | W     | H    | S/NS/SO |
|--------------|-------|-------|------|---------|
| RXN-300-D-ZA | 27.6" | 11.8" | 5.3" | S       |
| RXN-450-D-ZA | 33.5" | 17.7" | 5.3" | S       |
| RXN-600-D-ZA | 39.4" | 23.6" | 5.3" | S       |

- The RXN Cross connects four straight ducts, allowing linesets to branch in multiple directions while delivering durable protection for commercial VRF/VRV systems.

**RD-ST**



**LOWER CROSS STRUT**

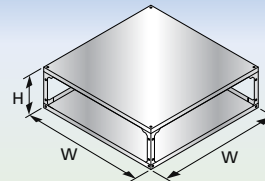
**RD-ST • LOWER CROSS STRUT**

| ITEM NO.  | FITS DUCT MODELS | S/NS/SO |
|-----------|------------------|---------|
| RD-ST-150 | RD-150           | S       |
| RD-ST-300 | RD-300, RD-300H  | S       |
| RD-ST-450 | RD-450, RD-450H  | S       |
| RD-ST-600 | RD-600, RD-600H  | S       |
| RD-ST-900 | RD-900, RD-900H  | NS      |

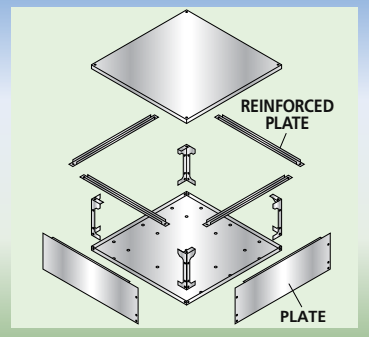
- Supplementary cross strut for use at duct ends where support brackets are installed.

**S=Stock Item** **NS=Non-Stock Item** **SO=Special Order**  
 6 WEEKS DELIVERY 16 WEEKS DELIVERY

**RX**



**CROSS SIZE 900**

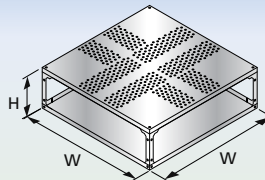


**RX • CROSS SIZE 900**

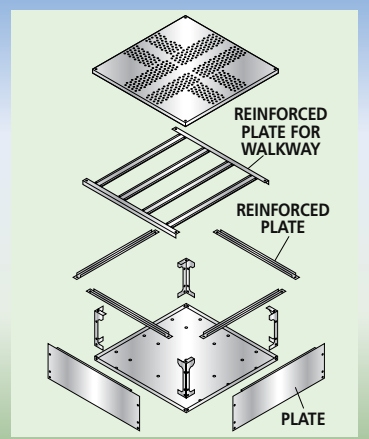
| ITEM NO.   | WIDTH (W) | HEIGHT (H) | S/NS/SO |
|------------|-----------|------------|---------|
| RX-900-ZA  | 38.6"     | 6.7"       | SO      |
| RX-900H-ZA | 38.6"     | 11.4"      | SO      |

- On the model RX-900H Cross, the cross height is greater than duct height so the support bracket height must be reduced by 1.2" to compensate for this.
- This fitting can be used as a tee when required by closing off the unused opening with the closure plate supplied.

**RXW**



**CROSS SIZE 900 WALKWAY**



**RXW • CROSS SIZE 900 WALKWAY**

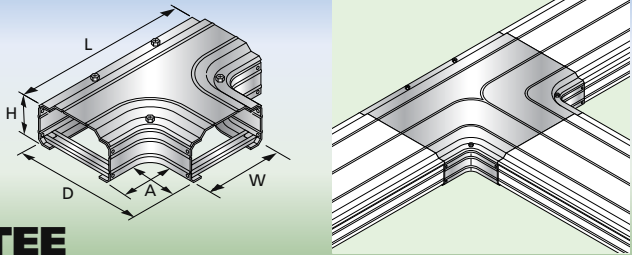
| ITEM NO.    | WIDTH (W) | HEIGHT (H) | S/NS/SO |
|-------------|-----------|------------|---------|
| RXW-900-ZA  | 38.6"     | 6.7"       | SO      |
| RXW-900H-ZA | 38.6"     | 11.4"      | SO      |

- On model RXW-900H Cross, the cross height is greater than duct height so the support bracket height must be reduced by 1.2" to compensate for this.
- This fitting can be used as a tee when required by closing off the unused opening with the closure plate supplied.

**BEFORE INSTALLATION, REFER TO THE RD SERIES SUPPLEMENTARY NOTES ON PAGES 12, 13, 14 & 15, AS WELL AS THE INSTALLATION MANUAL AVAILABLE ON OUR WEBSITE AT WWW.MARKETAIR.COM.**

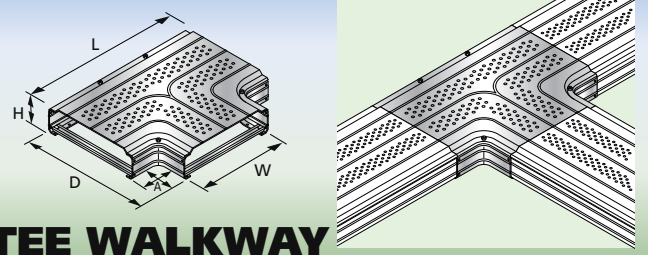
## RD Series

### RT



### TEE

### RTW



### TEE WALKWAY

### RT • STANDARD DUCT SERIES

| ITEM NO.    | WIDTH (W) | HEIGHT (H) | D     | L     | A    | S/NS/SO |
|-------------|-----------|------------|-------|-------|------|---------|
| RT-150-ZA   | 5.9"      | 4.4"       | 9.8"  | 13.8" | 3.9" | S       |
| RT-300-A-ZA | 11.8"     | 5.3"       | 19.7" | 27.6" | 7.9" | S       |
| RT-450-A-ZA | 17.7"     | 5.3"       | 25.6" | 33.5" | 7.9" | S       |
| RT-600-A-ZA | 23.6"     | 5.3"       | 31.5" | 39.4" | 7.9" | S       |

### RT • HI-RISE DUCT SERIES

| ITEM NO.     | WIDTH (W) | HEIGHT (H) | D     | L     | A    | S/NS/SO |
|--------------|-----------|------------|-------|-------|------|---------|
| RT-300H-A-ZA | 11.8"     | 10"        | 19.7" | 27.6" | 7.9" | NS      |
| RT-450H-A-ZA | 17.7"     | 10"        | 25.6" | 33.5" | 7.9" | NS      |
| RT-600H-A-ZA | 23.6"     | 10"        | 31.5" | 39.4" | 7.9" | NS      |

- Model RT-600H is supplied with a reinforced coupling plate.
- The Model RT Tee is not available in the RD-900 size.
- To create a Tee for standard duct, use a Model RX-900 Cross.
- To create a Tee for Hi-Rise duct, use a Model RX-900H Cross.

### RTW • WALKWAY STANDARD DUCT SERIES

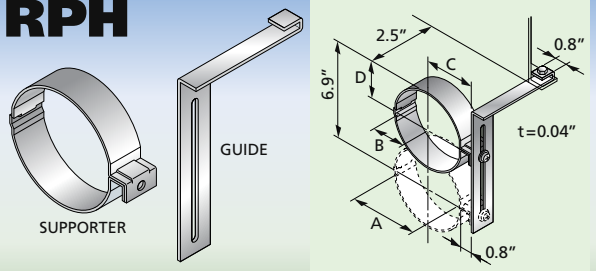
| ITEM NO.     | WIDTH (W) | HEIGHT (H) | D     | L     | A    | S/NS/SO |
|--------------|-----------|------------|-------|-------|------|---------|
| RTW-300-A-ZA | 11.8"     | 5.3"       | 19.7" | 27.6" | 7.9" | SO      |
| RTW-450-A-ZA | 17.7"     | 5.3"       | 25.6" | 33.5" | 7.9" | SO      |
| RTW-600-A-ZA | 23.6"     | 5.3"       | 31.5" | 39.4" | 7.9" | SO      |

### RTW • WALKWAY HI-RISE DUCT SERIES

| ITEM NO.      | WIDTH (W) | HEIGHT (H) | D     | L     | A    | S/NS/SO |
|---------------|-----------|------------|-------|-------|------|---------|
| RTW-300H-A-ZA | 11.8"     | 10"        | 19.7" | 27.6" | 7.9" | SO      |
| RTW-450H-A-ZA | 17.7"     | 10"        | 25.6" | 33.5" | 7.9" | SO      |
| RTW-600H-A-ZA | 23.6"     | 10"        | 31.5" | 39.4" | 7.9" | SO      |

- Model RTW-600H is supplied with a reinforced coupling plate.
- The Model RTW Tee is not available in the RD-900 size.
- To create a Tee for standard duct, use a Model RXW-900 Cross.
- To create a Tee for Hi-Rise duct, use a Model RXW-900H Cross.

### RPH



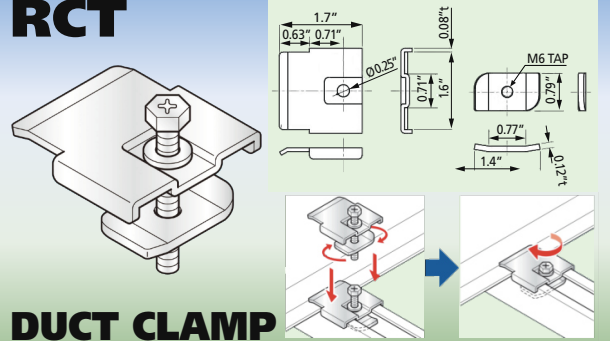
### SUPPORT BRACKET

Use to attach PD Duct to RD Series

### RPH • PD SUPPORT BRACKET

| ITEM NO.   | DUCT SIZE | A                       | B    | C    | D    | S/NS/SO |
|------------|-----------|-------------------------|------|------|------|---------|
| RPH-90-ZA  | PD-90     | 4"                      | 2.1" | 2.7" | 1.9" | S       |
| RPH-120-ZA | PD-120    | 5.1"                    | 2.7" | 3.3" | 2.4" | S       |
| RPH-140-ZA | PD-140    | NOT CURRENTLY AVAILABLE |      |      |      | NS      |

### RCT



### DUCT CLAMP

### RCT • DUCT CLAMP

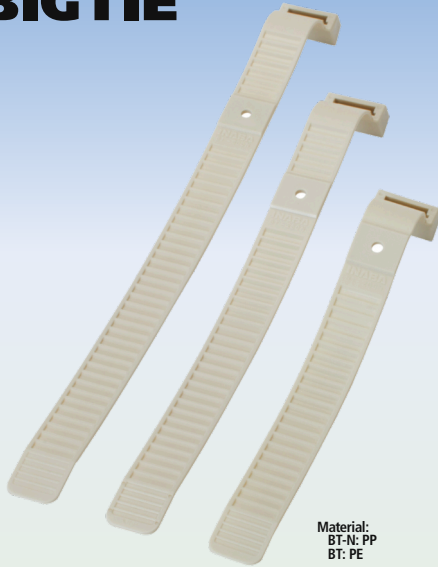
| ITEM NO. | S/NS/SO |
|----------|---------|
| RCT      | S       |

S=Stock Item NS=Non-Stock Item SO=Special Order  
6 WEEKS DELIVERY 16 WEEKS DELIVERY

**BEFORE INSTALLATION, REFER TO THE RD SERIES SUPPLEMENTARY NOTES ON PAGES 12, 13, 14 & 15, AS WELL AS THE INSTALLATION MANUAL AVAILABLE ON OUR WEBSITE AT WWW.MARKETAIR.COM.**

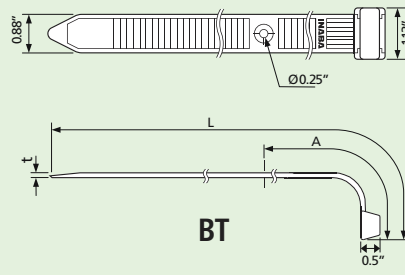
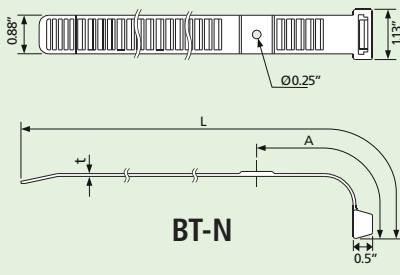
**RD Series**

**BIGTIE**



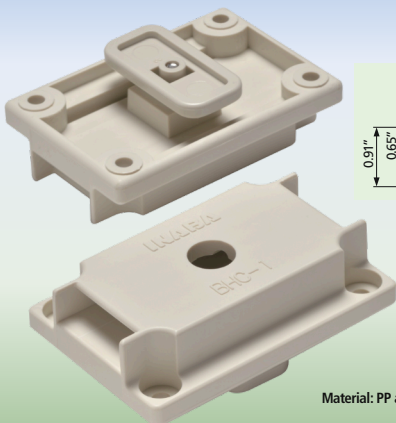
Material:  
BT-N: PP  
BT: PE

- BigTie is a system of heavy duty 7/8" wide Polypropylene (BT-N) or Polyethylene (BT) tie wraps in varying lengths, specifically designed to retain and support the lineset bundle inside a vertical RD duct.
- BigTie is also used to retain the lineset bundle in cases where the RD duct is horizontal but has been installed in an upright position against a wall or a structural member.
- A BigTie of the required length to enclose the lineset bundle is threaded through the slots on the BHC-1 Base which is then attached to the bottom strut of the RD by inserting it into the strut, then twist locked into place.
- Temperature range: 4°F to 140°F.

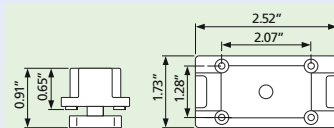


| ITEM NO. | Binding Diameter | L      | A     | t     |
|----------|------------------|--------|-------|-------|
| BT-200N  | Ø0.88"-Ø2"       | 7.88"  | 2"    | 0.06" |
| BT-250N  | Ø1.25"-Ø2.63"    | 9.88"  | 3.25" | 0.06" |
| BT-300N  | Ø1.38"-Ø3.25"    | 11.88" | 3.63" | 0.06" |
| BT-350   | Ø1.63"-Ø3.88"    | 13.88" | 4"    | 0.08" |
| BT-400   | Ø2"-Ø4.5"        | 15.75" | 6"    | 0.13" |
| BT-450   | Ø2.25"-Ø5.13"    | 17.75" | 6.75" | 0.13" |

**BHC  
BIGTIE MOUNTING BASE**



Material: PP and ABS



- **NOTE: BIG TIE IS NOT A LOAD BEARING SYSTEM!**
- **IT IS DESIGNED AS A LIGHT DUTY METHOD TO RETAIN THE LINESET CABLE AND DRAIN HOSE IN PLACE INSIDE AN RD DUCT!**
- **DO NOT USE BIG TIE TO HANG OR SUPPORT ANY VERTICAL OR HORIZONTAL PIPE SYSTEM.**

**BHC • BIGTIE MOUNTING BASE**

| ITEM NO. |
|----------|
| BHC-1    |

BIGTIE and BHC are Stock

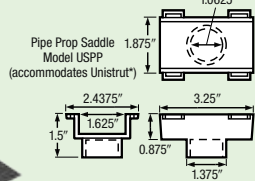
**RD Series**

**PIPE PROP**

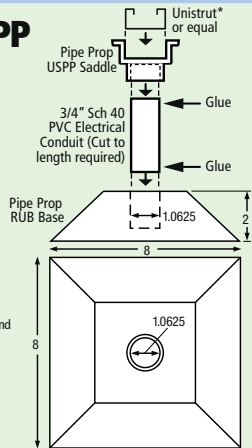
**MODEL RUB-USPP**

Hurricane rated by Miami-Dade County, I.A.P.M.O. approved.

- Includes:
- 1 Unistrut Saddle
- 1 8" x 8" Base
- 2 Self Locking Straps



\*Unistrut is a trade marked brand of Atkore International, Inc.



| HEIGHT              | WEIGHT CAPACITY @ 105° F |
|---------------------|--------------------------|
| <b>2.5" MINIMUM</b> | <b>3122 LBS</b>          |
| <b>18" MAXIMUM</b>  | <b>2175 LBS</b>          |

**PROPFOOT**

**MODEL PF 1212**

Accepts Standard 1 5/8" Unistrut or equal

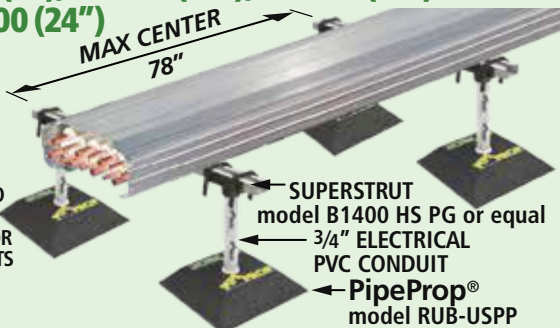


PF 1212 Kit includes 1 PropFoot with Rubber Mat only

| HEIGHT             | WEIGHT CAPACITY |
|--------------------|-----------------|
| <b>6" MINIMUM</b>  | <b>3000 LBS</b> |
| <b>42" MAXIMUM</b> | <b>2500 LBS</b> |

**TYPICAL SUPPORT SYSTEMS RECOMMENDED BY MARKETAIR**  
For Horizontal Duct Systems from Minimum 4" to Maximum 18" from Roof

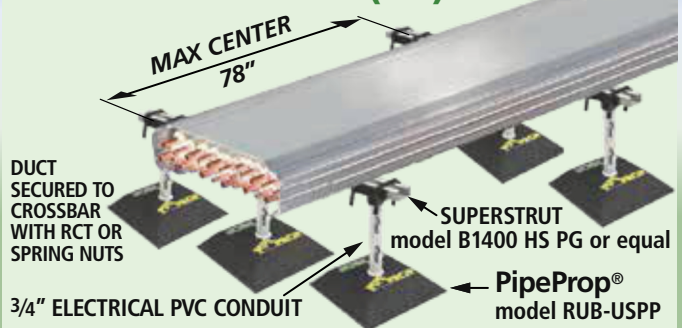
**RD 150 (6"), RD 300 (12"), RD 450 (18") & RD 600 (24")**



**MAXIMUM WEIGHT PER STANCHION**

2.5" @ 105°F 3122 LBS. 18" @ 105°F 2175 LBS.

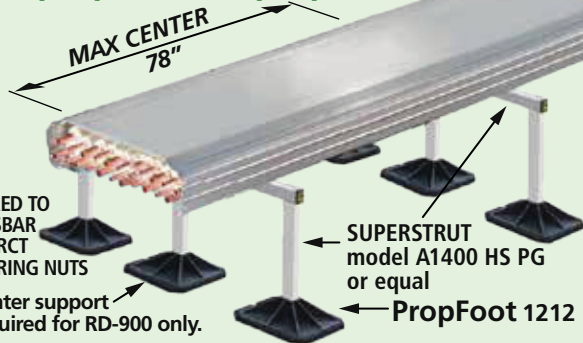
**RD 900 (36")**



**MAXIMUM WEIGHT PER STANCHION**

4" @ 105°F 3122 LBS. 18" @ 105°F 2175 LBS.

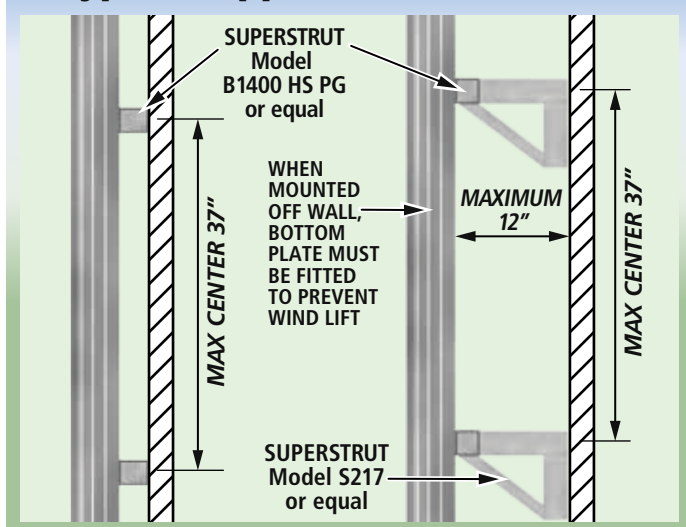
**Horizontal Duct Systems from 18" to 42" Maximum Height from Roof**  
**RD 150 (6"), RD 300 (12"), RD 450 (18"), RD 600 (24") & RD 900 (36")**



**MAXIMUM WEIGHT PER STANCHION**

18" @ 105°F 2500 LBS. 36" @ 105°F 3500 LBS.

**Typical Support for Vertical Ducts**

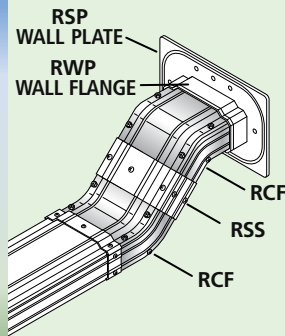


**Contact Marketair for further details.**

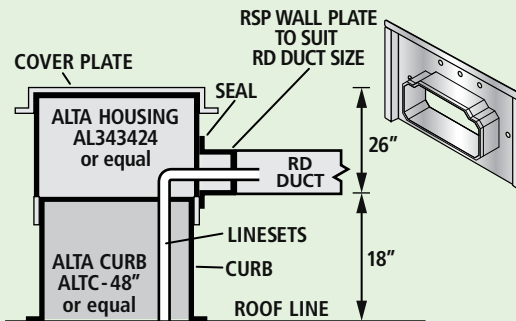
**RD Series**

**TYPICAL DETAILS OF LINESET ENTRY INTO BUILDINGS**

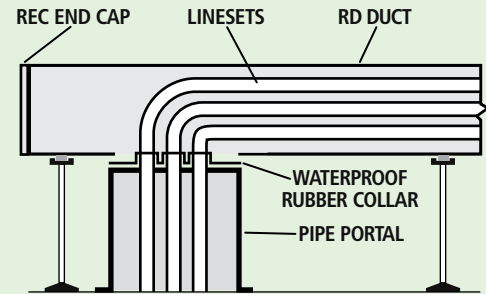
**SIDE WALL ENTRY**



**FLAT ROOF ENTRY-PENTHOUSE**



**FLAT ROOF ENTRY-ROOF PORTAL**



**MATERIAL**

| HIGH GRADE CORROSION RESISTANT HOT DIP GALVANIZED STEEL SHEET<br>(Coating layer of Zinc, 6% Aluminum, and 3% Magnesium) |                                   |
|---|-----------------------------------|
| Surface Treatment   | Hot Dipped Coating                |
| Salt Tolerance  | Salt Resistant Specification      |
| Coating Volume  | 0.62 oz./ft <sup>2</sup> per side |
| Tensile Strength  | More than 39,885 psi              |
| Stretch   | More than 28%                     |

**THICKNESS OF RD SERIES**

| DUCT SIZE                              | STANDARD THICKNESS |               |            |
|--|--------------------|---------------|------------|
|  | DUCT BASE          | BOTTOM BRIDGE | DUCT COVER |
| 150                                    | 0.05"              | 0.06"         | 0.04"      |
| 300-450-600-900<br>300H-450H-600H-900H | 0.06"              |               |            |

**LINESET CAPACITY OF RD DUCT SYSTEMS BY SIZE**

| DUCT SIZE   | AVAILABILITY | NET USABLE CROSS SECTION AREA (sq.in.) | INSULATION THICKNESS | LINESET SIZE LIQUID LINE X HOT GAS LINE (inches) |           |             |             |             |             |             |             |             |   |  |
|-------------|--------------|--|----------------------|--|-----------|-------------|-------------|-------------|-------------|-------------|-------------|-------------|---|--|
|             |              |  |                      | 3/8 x 5/8  | 3/8 x 3/4 | 1/2 x 1 1/8 | 5/8 x 1 1/8 | 5/8 x 1 1/4 | 3/4 x 1 1/4 | 3/4 x 1 1/2 | 7/8 x 1 1/2 | 7/8 x 1 5/8 |   |  |
| RD-150-6"   | S            | 20.9                                   | 1/2" x 1/2"          | 6  | 5         | 4           | 4           | 3           | 3           | 3           | 3           | 3           | 3 |  |
|             |              |  | 3/4" x 3/4"          | 3  | 3         | 2           | 2           | 2           | 2           | 2           | 2           | 2           | 2 |  |
| RD-300-12"  | S            | 49.5                                   | 1/2" x 1/2"          | 14   | 13        | 9           | 9           | 8           | 8           | 7           | 6           | 6           |   |  |
|             |              |  | 3/4" x 3/4"          | 8  | 7         | 6           | 6           | 5           | 5           | 4           | 4           | 4           |   |  |
| RD-450-18"  | S            | 74.4                                   | 1/2" x 1/2"          | 21   | 19        | 14          | 13          | 12          | 12          | 10          | 10          | 9           |   |  |
|             |              |  | 3/4" x 3/4"          | 12   | 11        | 9           | 8           | 8           | 7           | 6           | 6           |             |   |  |
| RD-600-24"  | S            | 99.2                                   | 1/2" x 1/2"          | 28   | 26        | 19          | 18          | 16          | 16          | 14          | 13          | 12          |   |  |
|             |              |  | 3/4" x 3/4"          | 16   | 15        | 12          | 11          | 10          | 10          | 9           | 9           | 8           |   |  |
| RD-900-36"  | SO           | 148.8                                  | 1/2" x 1/2"          | 42   | 38        | 28          | 26          | 25          | 23          | 20          | 19          | 18          |   |  |
|             |              |  | 3/4" x 3/4"          | 24   | 22        | 17          | 17          | 16          | 15          | 13          | 13          | 12          |   |  |
| RD-300H-12" | NS           | 94.1                                   | 1/2" x 1/2"          | 26   | 24        | 18          | 17          | 16          | 16          | 13          | 12          | 12          |   |  |
|             |              |  | 3/4" x 3/4"          | 15   | 14        | 11          | 11          | 10          | 9           | 9           | 8           | 8           |   |  |
| RD-450H-18" | NS           | 141.4                                  | 1/2" x 1/2"          | 40   | 36        | 27          | 25          | 23          | 25          | 19          | 18          | 17          |   |  |
|             |              |  | 3/4" x 3/4"          | 22   | 21        | 17          | 16          | 15          | 14          | 13          | 12          | 12          |   |  |
| RD-600H-24" | NS           | 188.4                                  | 1/2" x 1/2"          | 53   | 48        | 35          | 34          | 31          | 33          | 26          | 25          | 23          |   |  |
|             |              |  | 3/4" x 3/4"          | 30   | 28        | 22          | 21          | 20          | 19          | 17          | 16          | 16          |   |  |
| RD-900H-36" | SO           | 282.7                                  | 1/2" x 1/2"          | 79   | 73        | 53          | 50          | 47          | 49          | 39          | 37          | 35          |   |  |
|             |              |  | 3/4" x 3/4"          | 45   | 42        | 33          | 32          | 30          | 29          | 26          | 25          | 23          |   |  |

NOTE: Nominal lineset capacities for the RD Series can differ according to the configurations of linesets installed. Capacities shown are based on Net Usable Cross Section Area of each duct size and are for reference purposes only. Before final selection of duct size, confirm lineset capacity. For further information, contact MarketAir, Inc. at info@marketair.com or 732-985-8226.

**MAXIMUM LOAD FOR DUCT BASE AND SUPPORTS**

| DUCT SIZE   | AVAILABILITY | RD SERIES CAPACITY PER 78" LENGTH (LBS.) |                        |
|-------------|--------------|--|------------------------|
|             |              | SUPPORTS SPACED AT 78"                   | SUPPORTS SPACED AT 39" |
| RD-150-6"   | S            | 2,110                                    | 2,821                  |
| RD-300-12"  | S            | 883                                      | 1,187                  |
| RD-450-18"  | S            | 572                                      | 775                    |
| RD-600-24"  | S            | 413                                      | 565                    |
| RD-900-36"  | SO           | 247                                      | 349                    |
| RD-300H-12" | NS           | 865                                      | 1,163                  |
| RD-450H-18" | NS           | 560                                      | 763                    |
| RD-600H-24" | NS           | 401                                      | 553                    |
| RD-900H-36" | SO           | 501                                      | 691                    |

**MAXIMUM LOAD FOR DUCT COVER**

| DUCT SERIES     | COVER LOADING LBS. PER SQ. FT. |
|-----------------|--------------------------------|
| STANDARD SERIES | 102.4                          |
| WALKWAY SERIES  | 1,024                          |

**S=Stock Item NS=Non-Stock Item SO=Special Order**  
6 WEEKS DELIVERY 16 WEEKS DELIVERY

**BEFORE INSTALLATION, REFER TO THE RD SERIES SUPPLEMENTARY NOTES ON PAGES 13 & 14, AS WELL AS THE INSTALLATION MANUAL AVAILABLE ON OUR WEBSITE AT WWW.MARKETAIR.COM.**



**BEFORE INSTALLATION, REFER TO THE RD SERIES INSTALLATION MANUAL AVAILABLE ON OUR WEBSITE AT WWW.MARKETAIR.COM.**

**GENERAL**

The RD Series consists of a U shaped trough with an open bottom and a removable cover. It is designed to be installed with the open side facing downwards and the removable cover plate on the top. Normally, the bottom is left open, however in instances where extreme weather or rodent or insect incursion may occur, it is possible to easily close the bottom up with nylon mesh or galvanized steel panels, both of which are available as non stock items.

Contact Marketair for further details.

The RD, RDH & RDW SERIES in general, are not waterproof. To waterproof, use RDB duct bottom plates, RSB Wall Plate or RSB Wall Sleeve and seal all joints and penetrations with weatherproof sealant or putty.

**NOTE THAT THIS PRODUCT LINE IS FABRICATED IN JAPAN, SO, ALL FASTENERS WHICH ARE INCLUDED IN THE PACKAGE ARE METRIC.**

**THE RD SERIES IS AVAILABLE IN 3 VERSIONS:**

**1 Standard RD series**

Standard duct and fittings are all 5.2" high (RD-150 is 4.4" high) and are available in 5 widths, of which the following are standard stock items, RD-150 (6"), RD-300 (12"), RD-450 (18"), RD-600 (24")

The following size is a non-stock item:

RD-900 (36") Available only on special order, delivery time of 12 to 16 weeks. STANDARD LENGTH FOR ALL SIZES IS 78.75" (2 meters).

**2 HI-RISE Series**

For those installations where there is a higher than normal concentration of linesets, and where it would not be cost effective to use the standard 5.2" high duct, a higher volume duct system designated as the HI-RISE Series, which is 9.9" high, is available.

While the range available includes all the same duct and fittings as the standard RD Series, these are also non-stock items which are available on special order only with a delivery time of approximately 6 weeks.

The Hi-Rise and standard duct components are all compatible with each other so it is possible to start out with Hi-Rise components to accommodate a high volume of linesets then to switch over to standard components once the volume of linesets reduces as they branch off to various parts of the building.

**3 WALKWAY SERIES**

Standard RD duct can be walked on sporadically, however it is not designed to act as a regular walkway for installation or maintenance personnel carrying heavy tools and/or equipment and it is not warranted for this purpose. If the duct system will be consistently walked on, the reinforced version designated as the WALKWAY Series must be used.

This consists of a standard duct format with a heavier roof panel which has dimples embossed on it to provide a non slip surface. In addition, it is further reinforced by the addition of heavy duty cross struts at approximately 39" intervals.

This series is identified by the letter W as part of the catalog number and is available in 4 sizes, i.e. RDW-300, RDW-450, RDW-600, RDW-900.

The RDW Series is available in the standard RD Series, i.e. 5.2" high, as well as in the RDH (HI-RISE) Series, i.e. 9.9" high, and includes only those ducts and fittings which have a flat horizontal surface, i.e. RDW duct, REW Flat 90° Ell, RFW flat 45° Ell, RTW Tee and RXW Cross.

**NOTE** that this series is fully size compatible with the standard RD and the RDH HI-RISE Series so it is possible to easily mix and match all components. While the range available includes all the same duct and fittings as the standard RD Series, all components of the RDW Series are non stock items which are available on special order only, with a delivery time of 12 to 16 weeks.

**Ensure that all parts of the duct system which will consistently be used as a walkway consist of RDW or RDHW components.**

**COUPLERS**

All versions of the RD Series require the use of couplers to connect the duct lengths together as well as to any fittings. All standard duct lengths and fittings are predrilled to facilitate attachment of the couplers, however when a length of duct has to be cut, the cut end will not have the predrilled holes and in this instance, they will have to be drilled on site. (See our detailed instruction sheet.) The standard Coupler Model for all connections is the Model RSJ.

**HORIZONTAL DUCT SUPPORTS**

**Standard spacing for brackets on horizontal runs is 78".**

The recommended bracket system is PIPE PROP model RUB-USPP which consists of an 8"x8" recycled rubber base which is left free floating on the roof surface.

Onto this base is glued a length of 3/4" electrical conduit, supplied by the contractor and cut to length on site according to the desired height of the ductwork. Onto the top of the conduit is glued a plastic saddle designed to accept a standard Unistrut, also supplied by the contractor and cut to length on site.

The saddle includes 2 ratchet retainer straps to lock the Unistrut into place and, using a pair of these together with a length of Unistrut, it is possible to create a strong support for the ductwork and its lineset contents. The ductwork is secured to the Unistrut by bolting it to one of the cross struts of the duct using RCT Duct Clamps or 1/4" spring nuts.

When using PipeProp, minimum height from the roof surface to the duct bottom is 4", and maximum height is 18".

If the bottom of the duct needs to be more than 18" off the roof surface, the more robust PROPFoot support system must be used, contact MarketAir for further details.

Due to its increased weight requirements, the RDW Series requires more attention to the support system.

When using RDW or RDHW, all joints above support brackets must be strongly secured. For flat ells, RE & RF and Tees, RT, attach support brackets to all standard and supplementary cross struts and anchor them to the roof surface. For Cross, RXW, attach 3 support brackets to bottom plate.

**NOTE THAT IN CASES WHERE THE DUCT HAS TO RUN HORIZONTALLY AT HIGH LEVEL IT CAN BE INVERTED AND SUSPENDED BY THREADED ROD HANGERS. CONTACT MARKETAIR FOR FURTHER DETAILS.**

**VERTICAL DUCT SUPPORTS**

When attaching any version of the RD Series to a vertical surface, the preferred method is to attach the duct directly to the wall surface by means of a Unistrut channel which is securely anchored and is then attached to the cross struts on the duct using 3/8" spring nuts. NOTE: All fittings must be stainless.

If the duct has to be away from the wall to avoid obstructions such as piping, it will be necessary to use spacer brackets which must be strong enough to avoid any deformation due to the combined load of the linesets and the duct.

**NOTE: WHEN MOUNTED OFF WALL, BOTTOM PLATE MUST BE FITTED TO PREVENT WIND LIFT.**

**Maximum spacing for brackets on vertical runs is 39"**

For further details on vertical duct installation and detailed drawings, contact Marketair.

# RD Series

## SHORT DUCT LENGTHS

To eliminate waste and reduce site labor, the manufacturer offers a number of shorter pieces in all 5 sizes as well as in the **WALKWAY** version, and these are available in the following standard lengths:

12" in RD-300, RD-300H, RD-450, RD-450H, RD-600, RD-600H, RD-900 and RD-900H.

20" in RD-300, RD-300H, RD-450, RD-450H, RD-600, RD-600H, RD-900 and RD-900H.

39" in RD-300, RD-300H, RD-450, RD-450H, RD-600, RD-600H, RD-900 and RD-900H.

**For space reasons, most of these short duct lengths, which are mostly non-stock, are not shown in the catalog.**

**However, the following exceptions are stock items and are shown: RD-150-05, RD-150-1, RD-300-03, RD-300-05, RD-300-1.**

## NEW INSTALLATIONS

The easiest way, and the recommended way, to utilize the RD Series is first to lay out and install the lineset duct system then to install the lineset

configuration to fit within the space provided. This minimizes any alterations which may have to be made, either in the lineset or in the duct system.

## RETROFITTING EXISTING INSTALLATIONS

It is, of course, also possible to retrofit the RD Series onto any existing installation by disassembling the duct and fittings, installing them around the linesets, and then reassembling them.

This will be somewhat more difficult because often access is limited, or the pre-installed linesets include complicated shapes and configurations which may be too small or too large to fit into the duct system components and may require the modification or alteration of the duct to suit.

## PAINTING

RD duct systems can be painted to match building surfaces, however, the manufacturer, INABA DENKO, and Marketair make no recommendations whatsoever in this regard. Any painting which is applied to the RD Series shall be the full responsibility of the contractor/customer/installer.

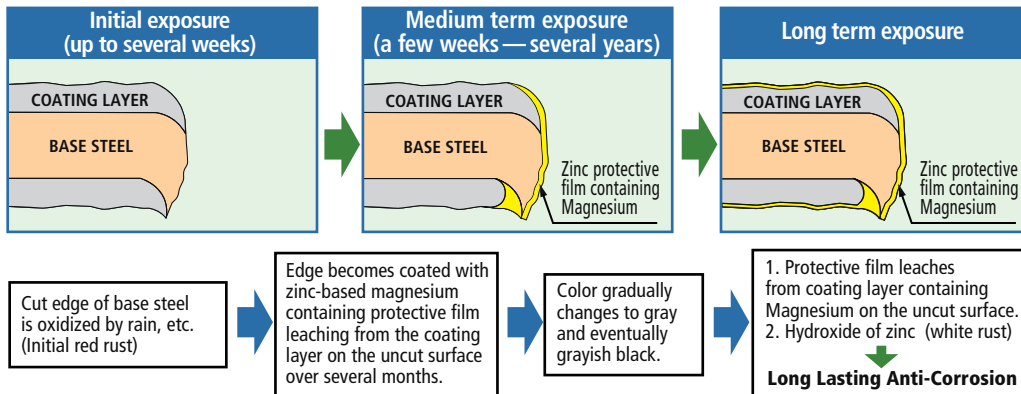
## MECHANISM OF CORROSION RESISTANCE

Although Zinc/Aluminum/Manganese coating, like hot dip galvanizing, is subject to white rust, this will actually form a protective coating and will not materially affect the corrosion resistance of the product.

If the edges show early traces of red rust as they become exposed to the elements, over a period of several months they will become coated with a

Zinc based film which leaches from the base layer and will change to a grayish black color, providing a high level of corrosion protection for the edges.

**When cutting or drilling duct on site, always repair cut edges with a coat of Zinc Chromate paint (ZN-AL).**



## CHANGE IN APPEARANCE OF ZA TYPE DUCT & FITTINGS

The surface of a high grade corrosion resistant hot dip galvanized steel sheet is formed from a precise oxide coating which protects the surface of the metal and comprises 2 layers as follows:

1. A film of Zinc which contains Magnesium and Aluminum.
2. A second film of Zinc which contains Aluminum.

## WHITE RUST ON ZA TYPE DUCT

The coating layer on the high grade corrosion resistant hot dip galvanized steel sheet contains Zinc which offers a higher degree of ionization, preventing white rust (Zinc Hydroxide) from eroding the base steel at any cut edges and at any point where the surface has been damaged by abrasion or scratching.

It is important not to damage the surface protection coating during installation in order to maintain long term corrosion resistance.

## CAUTION DURING HANDLING & INSTALLATION.

1. Do not damage the surface of the duct or fittings.
2. Do not store the duct or fittings directly on bare ground, always use a spacer material other than wood to elevate the product.
3. Cover all materials before and after installation with a protective cover to prevent any damage from alkaline liquids or metal shavings from any copper pipe cutting operations nearby.

If these materials are stored outside, protect from rain with a waterproof cover and remove this when the rain stops.

If materials are shipped by ocean freight, do not permit them to be exposed to seawater during shipping, handling or storage at dockside.



P.O. Box 10330, New Brunswick, NJ 08906 USA  
 ph: 732-985-8226 • fax: 732-985-2134 • info@marketair.com  
[www.marketair.com](http://www.marketair.com)



# PD Series

## FUNCTIONAL DESIGN • PROFESSIONAL LOOK

Protects any surface mounted lineset installation, as well as linesets between condenser and RD Series ducting system. Round profile in 3 sizes provides maximum strength and accommodates larger linesets and complicated configurations.



### PD Series

enhances the appearance of any VRF application.



#### ■ Innovative New Design

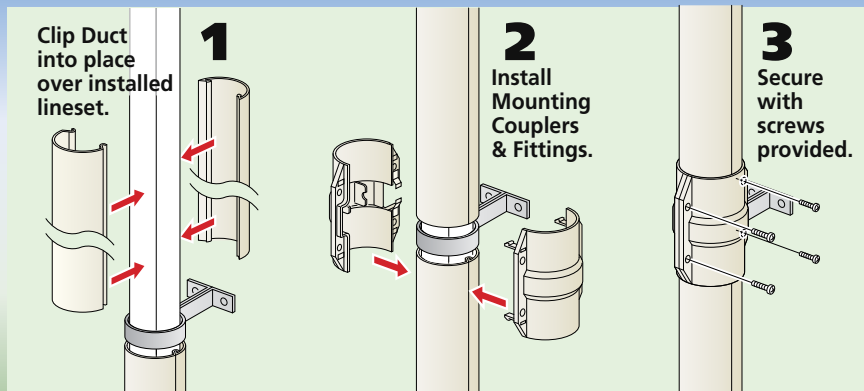
Provides easy mounting and elevates lineset from wall, ceiling or deck surface.

#### ■ Light & Tough

UV & weather resistant heavy duty PVC construction resists deformation.

#### ■ Easy Installation

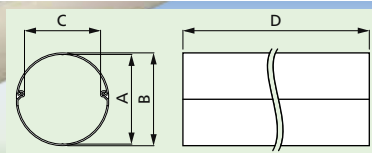
All duct and fittings disassemble for ease of installation, and mount with standard wall mounted pipe brackets.



**PD Series**

**PD**

**DUCT**



**PD • DUCT**

| ITEM NO.    | A     | B (O.D.) | C (I.D.) | D     |
|-------------|-------|----------|----------|-------|
| PD-90-1000  | Ø3.5" | Ø3.6"    | 3"       | 37.8" |
| PD-90-1500  | Ø3.5" | Ø3.6"    | 3"       | 57.5" |
| PD-90-2000  | Ø3.5" | Ø3.6"    | 3"       | 78.7" |
| PD-120-1000 | Ø4.6" | Ø4.7"    | 4.1"     | 37.8" |
| PD-120-1500 | Ø4.6" | Ø4.7"    | 4.1"     | 57.5" |
| PD-120-2000 | Ø4.6" | Ø4.7"    | 4.1"     | 78.7" |
| PD-140-2000 | Ø5.5" | Ø5.6"    | 4.9"     | 78.7" |

**PDB-N**

**MOUNTING COUPLER**

**PDB-N • MOUNTING COUPLER**

| ITEM NO.   | A     | B    | C    | D    | E    |
|------------|-------|------|------|------|------|
| PDB-90N-I  | Ø3.8" | 4.4" | 5"   | 6.7" | 2.7" |
| PDB-120N-I | Ø4.9" | 5.5" | 6.1" | 6.7" | 2.7" |
| PDB-140N-I | Ø5.8" | 6.5" | 7.2" | 5.4" | 2.4" |

**PDF**

**45° ELL**

**PDF • 45° ELL**

| ITEM NO. | A    | B    | C    | D    | E    |
|----------|------|------|------|------|------|
| PDF-90   | 4.1" | 3.9" | 3.2" | 1.5" | 1.3" |
| PDF-120  | 5.2" | 5"   | 3.7" | 1.5" | 1.3" |
| PDF-140  | 6.1" | 5.9" | 4.4" | 1.8" | 1.6" |

**PDE**

**90° ELL**

**PDE • 90° ELL**

| ITEM NO. | A    | B    | C    | D    |
|----------|------|------|------|------|
| PDE-90   | 4.1" | 3.9" | 5.6" | 1.3" |
| PDE-120  | 5.2" | 5"   | 6.8" | 1.3" |
| PDE-140  | 6.5" | 5.9" | 8"   | 1.6" |

**PDT**

**PDT-120  
PDT-140  
with 2 reducers**

**PDT-90**

**TEE**

**PDT • TEE**

| ITEM NO.  | A    | B    | C    | D    | E    | F    |
|-----------|------|------|------|------|------|------|
| PDT-90-I  | 4.1" | 3.9" | 5.6" | 4.1" | 7.1" | 1.3" |
| PDT-120-I | 5.2" | 5"   | 6.8" | 4.1" | 8.4" | 1.3" |
| PDT-140-I | 6.1" | 5.9" | 8"   | 5.2" | 9.9" | 1.6" |

**PDKS**

**45°-90° ADJUSTABLE ELL**

**PDKS • 45°-90° ADJUSTABLE ELL**

| ITEM NO. | A    | B    | C    |
|----------|------|------|------|
| PDKS-90  | 4.1" | 3.9" | 5.6" |
| PDKS-120 | 5.2" | 5"   | 6.8" |

**PSDR**

**PD TO SD ADAPTOR**

**PSDR • PD TO SD ADAPTOR**

| ITEM NO.     | APPLICATION      | A    | B    | C    |
|--------------|------------------|------|------|------|
| PSDR-90-100  | PD-90 to SD-100  | 4.7" | 4"   | 3.6" |
| PSDR-120-140 | PD-120 to SD-140 | 5.8" | 5.1" | 3.7" |

All PD Series fittings are Stock

**BEFORE INSTALLATION, REFER TO THE PD SERIES INSTALLATION MANUAL AVAILABLE ON OUR WEBSITE AT [WWW.MARKETAIR.COM](http://WWW.MARKETAIR.COM).**

## PD Series

### PDJ

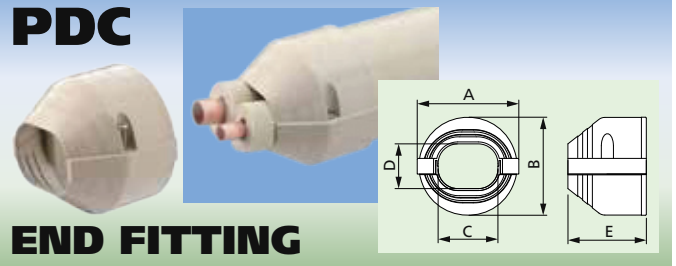


#### STANDARD COUPLER

#### PDJ • STANDARD COUPLER

| ITEM NO. | A    | B    | C    | D    |
|----------|------|------|------|------|
| PDJ-90   | 4.1" | 3.9" | 3.1" | 1.3" |
| PDJ-120  | 5.2" | 5"   | 3.1" | 1.3" |
| PDJ-140  | 6.1" | 5.9" | 3.8" | 1.6" |

### PDC

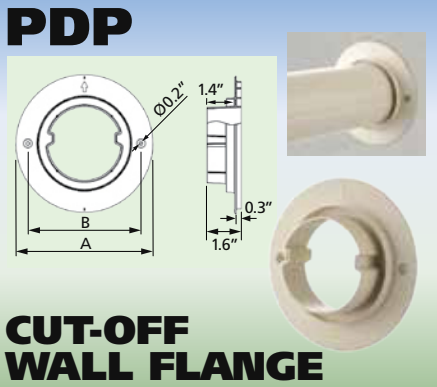


#### END FITTING

#### PDC • END FITTING

| ITEM NO. | A    | B    | C    | D    | E    |
|----------|------|------|------|------|------|
| PDC-90   | 4.1" | 3.9" | 2.4" | 1.8" | 3.1" |
| PDC-120  | 5.2" | 5"   | 3.4" | 2.2" | 3.1" |
| PDC-140  | 6.1" | 6.3" | 3.7" | 2.4" | 3.8" |

### PDP

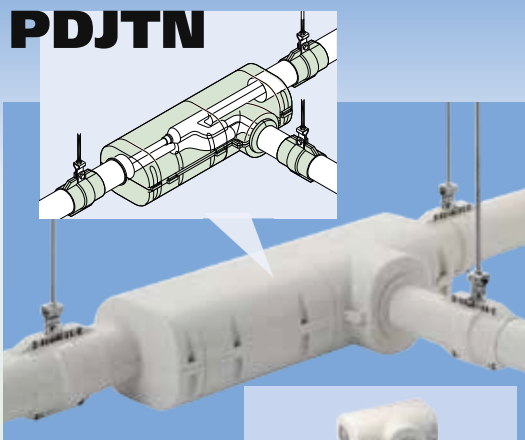


#### CUT-OFF WALL FLANGE

#### PDP • CUT-OFF WALL FLANGE

| ITEM NO. | A    | B    |
|----------|------|------|
| PDP-90   | 6.2" | 5.1" |
| PDP-120  | 7.3" | 6.2" |

### PDJTN

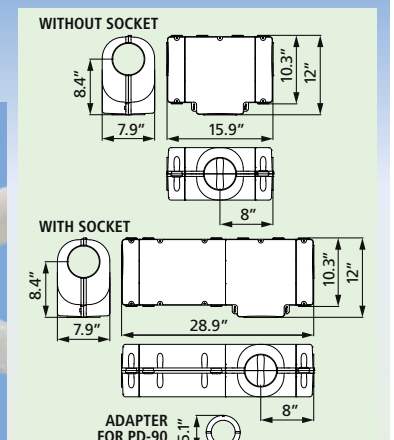


#### T-BRANCH

#### PDJTN • T-BRANCH

| ITEM NO. |
|----------|
| PDJTN    |

NO SOCKET VERSION

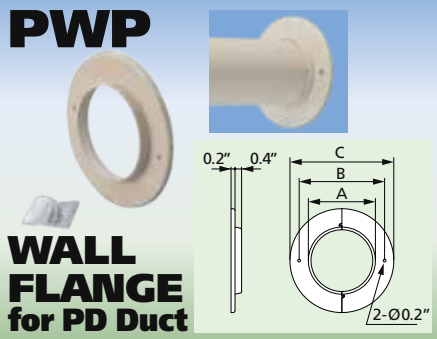


SOCKET

Works with PD-140, PD-120 & PD-90 sizes.

ADAPTER FOR PD-90

### PWP

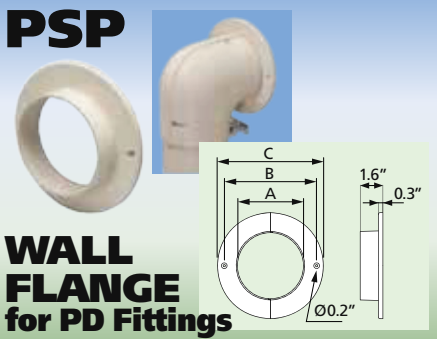


#### WALL FLANGE for PD Duct

#### PWP • WALL FLANGE FOR PD DUCT

| ITEM NO. | A    | B    | C    |
|----------|------|------|------|
| PWP-90   | 4"   | 5.1" | 6.2" |
| PWP-120  | 5.1" | 6.2" | 7.3" |
| PWP-140  | 5.9" | 7.2" | 8.2" |

### PSP

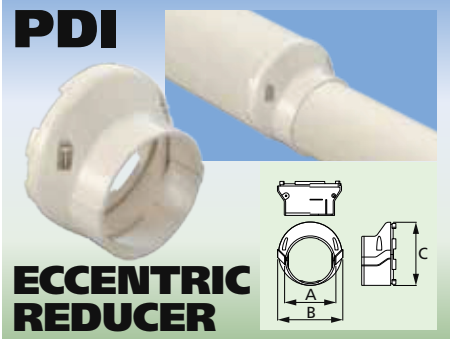


#### WALL FLANGE for PD Fittings

#### PWP • WALL FLANGE FOR PD FITTINGS

| ITEM NO.  | A    | B    | C    |
|-----------|------|------|------|
| PSP-90-I  | 3.5" | 5.3" | 6.2" |
| PSP-120-I | 4.6" | 6.4" | 7.3" |

### PDI



#### ECCENTRIC REDUCER

#### PDI • ECCENTRIC REDUCER

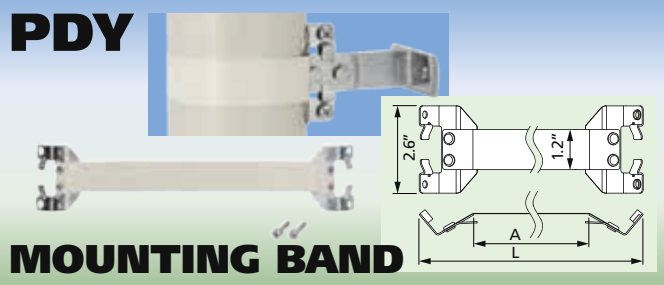
| ITEM NO.      | A    | B    | C    |
|---------------|------|------|------|
| PDI-120-90-I  | 4.1" | 5.2" | 5"   |
| PDI-140-120-I | 5.2" | 6.1" | 5.9" |

**BEFORE INSTALLATION, REFER TO THE PD SERIES INSTALLATION MANUAL AVAILABLE ON OUR WEBSITE AT [WWW.MARKETAIR.COM](http://WWW.MARKETAIR.COM).**

All PD Series fittings are Stock

**PD Series**

**PDY**



**MOUNTING BAND**

**PDY • MOUNTING BAND**

| ITEM NO.  | A     | L     |
|-----------|-------|-------|
| PDY-90-I  | 9.2"  | 12.3" |
| PDY-120-I | 12.6" | 15.7" |
| PDY-140-I | 15.4" | 18.5" |

**PDL**

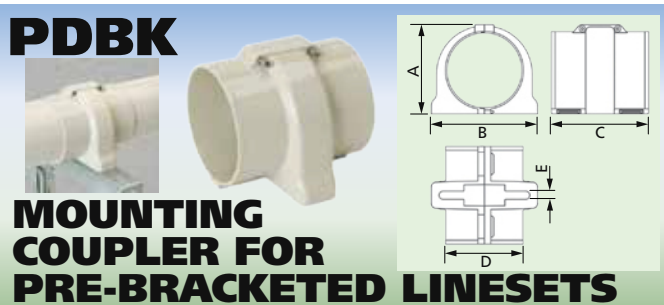


**FITTING MOUNT CLIP**

**PDL • FITTING MOUNT CLIP**

| ITEM NO. |
|----------|
| PDL      |

**PDBK**

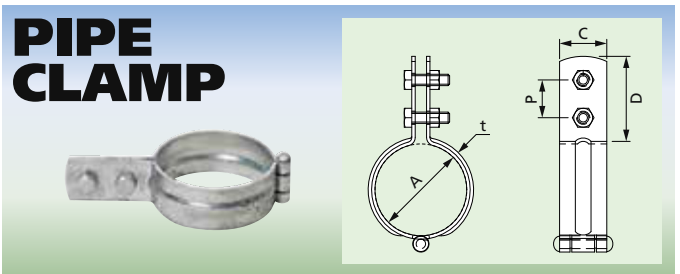


**MOUNTING COUPLER FOR PRE-BRACKETED LINESETS**

**PDBK • MOUNTING COUPLER**

| ITEM NO. | A    | B    | C    | D    | E   |
|----------|------|------|------|------|-----|
| PDBK-90  | 4.5" | 5.2" | 4.8" | 4.1" | .5" |
| PDBK-120 | 5.6" | 6.3" | 4.8" | 5.1" | .5" |

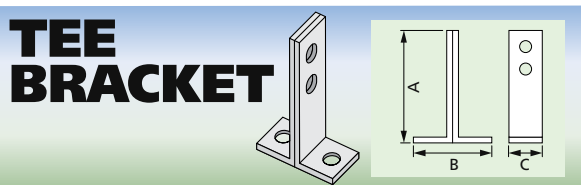
**PIPE CLAMP**



**PIPE CLAMP**

| ITEM NO.     | DUCT SIZE | A    | C    | D    | P    | t    |
|--------------|-----------|------|------|------|------|------|
| A 10363-80A  | PD-90     | 3.5" | 1"   | 1.8" | 0.8" | 0.1" |
| A 10363-100A | PD-120    | 4.5" | 1"   | 1.8" | 0.8" | 0.1" |
| A 10363-125A | PD-140    | 5.5" | 1.3" | 2.4" | 1.1" | 0.1" |

**TEE BRACKET**

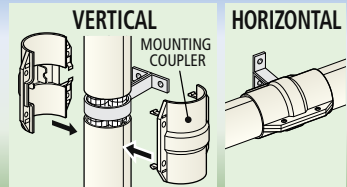


**TEE BRACKET**

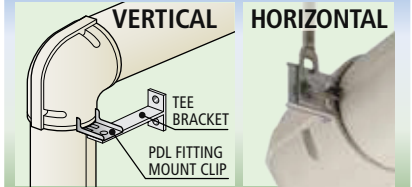
| ITEM NO.      | A    | B    | C    |
|---------------|------|------|------|
| A 11 214-60H  | 2.4" | 2.3" | 1"   |
| A 11 214-80H  | 3.1" | 2.3" | 1"   |
| A 11 214-100H | 3.9" | 2.3" | 1.3" |
| A 11 214-125H | 4.9" | 2.3" | 1.3" |

**DETAILS OF SUPPORT SYSTEMS**

**USING PDB MOUNTING COUPLER**



**USING PDL CLIP ATTACHED TO FITTING**



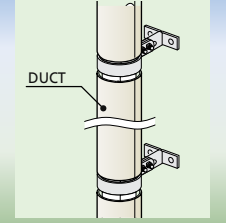
**HORIZONTAL DECK SUPPORT**



**HORIZONTAL HANGING**



**VERTICAL SUPPORT**



**PDTKL**



**COVER FOR TKL**

**PDTKL • COVER FOR TKL**

| ITEM NO.    | A    | B    | C    | D    |
|-------------|------|------|------|------|
| PDTKL-90-I  | 6.0" | 4.7" | 3.5" | 4.4" |
| PDTKL-120-I | 7.1" | 5.5" | 4.3" | 5.6" |

**BEFORE INSTALLATION, REFER TO THE PD SERIES INSTALLATION MANUAL AVAILABLE ON OUR WEBSITE AT [WWW.MARKETAIR.COM](http://WWW.MARKETAIR.COM).**

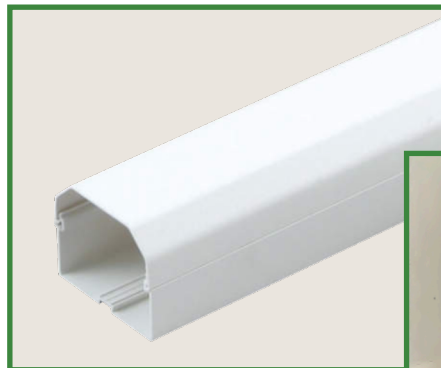
All PD Series fittings are Stock

**Exposed Indoor Linesets in  
Ductless AC Installations are Extremely Unsightly**  
**SLIMDUCT™ MD Series**

**by Inaba Denko easily solves this problem**

**With a perfect combination of function, form and style  
the MD Series discreetly hides the lineset and complements  
any indoor commercial or residential design scheme.**

- 14 different fittings make it easily adaptable to suit any lineset configuration.
- The Neo White surface easily blends in with any interior color scheme.
- No exposed screws or fixings provides an attractive contemporary appearance.
- A flexible rubber gasket enhances the joint between the MD duct and the indoor AC unit.



**Capacity: Up to a 3/8" x 1/2" lineset with  
1/2" insulation plus a 5/8" insulated  
drain hose and a cable.**

**Flame retardant: Conforms to UL-94-V-O.**

**Material: UV Stabilized rigid PVC.**

**Operating temperature: -4°F to 140°F.**

**Color: Neo White.**

**Master Distributor for the USA & Canada:**



P.O. Box 10330, New Brunswick, NJ 08906 USA  
ph: 732-985-8226 • fax: 732-985-2134 • info@marketair.com  
[www.marketair.com](http://www.marketair.com)

# MD Series

**MD**

Material: PVC  
Color: Neo White

**SLIMDUCT MD**

**MD • SLIMDUCT MD**

|               |
|---------------|
| ITEM NO.      |
| <b>MD-851</b> |

**MW**

Material: PVC  
Color: Neo White

Screw Cap is included to cover screw head

**WALL INLET**

**MW • WALL INLET**

|              |
|--------------|
| ITEM NO.     |
| <b>MW-85</b> |

**MWM**

Material: PVC  
Color: Neo White

Screw Cap is included to cover screw head

**WALL INLET FOR A/C CAP**

**MWM • WALL INLET FOR A/C CAP**

|               |
|---------------|
| ITEM NO.      |
| <b>MWM-85</b> |

**MWS**

Material: PVC  
Color: Neo White

EXTENDABLE

Screw Cap is included to cover screw head

When using A/C Cap, valid range is from 1" to 10 1/8" from the edge of the wall.

**SLIDING WALL INLET**

**MWS • SLIDING WALL INLET**

|               |   |
|---------------|---|
| ITEM NO.      | APPLICABLE A/C CAP  |
| <b>MWS-85</b> | <b>AC-67, 75, 100/WC-60N, 65, 65N, 75N</b>                                    |
|               | <b>Other A/C Cap: Flange O.D. 5 1/8" or less + flange height 1/2" or less</b> |

**MK**

Material: PVC  
Color: Neo White

**90° FLAT ELL**

**MK • 90° FLAT ELL**

|              |
|--------------|
| ITEM NO.     |
| <b>MK-85</b> |

**MKF**

Material: PVC  
Color: Neo White

**45° FLAT ELL**

**MKF • 45° FLAT ELL**

|               |
|---------------|
| ITEM NO.      |
| <b>MKF-85</b> |

**MN**

Material: PVC  
Color: Neo White

**90° TWIST ELBOW**

**MN • 90° TWIST ELBOW**

|              |
|--------------|
| ITEM NO.     |
| <b>MN-85</b> |

**MP**

Material: PVC  
Color: Neo White

**SOFFIT INLET**

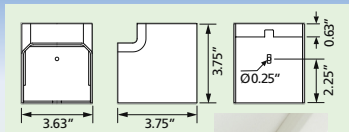
**MP • SOFFIT INLET**

|              |
|--------------|
| ITEM NO.     |
| <b>MP-85</b> |

All MD Series fittings are Stock

# MD Series

## MCI



Material: PVC  
Color: Neo White

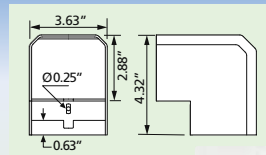
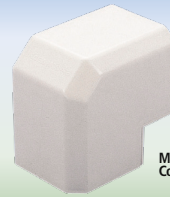
### 90° INSIDE VERTICAL ELL

#### MCI • 90° INSIDE VERTICAL ELL

ITEM NO.

MCI-85

## MCO



Material: PVC  
Color: Neo White

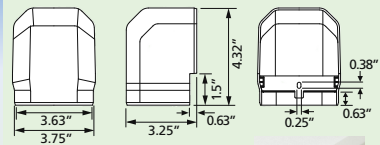
### 90° OUTSIDE VERTICAL ELL

#### MCO • 90° OUTSIDE VERTICAL ELL

ITEM NO.

MCO-85

## MCOM



Material: PVC  
Color: Neo White

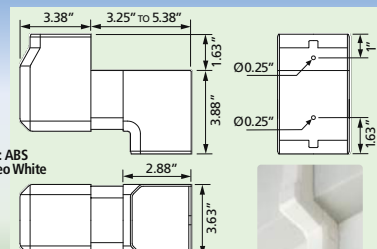
### 90° MINI OUTSIDE VERTICAL ELL

#### MCOM • 90° MINI OUTSIDE VERTICAL ELL

ITEM NO.

MCOM-85

## MCS



Material: ABS  
Color: Neo White

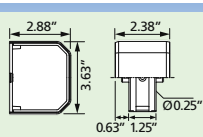
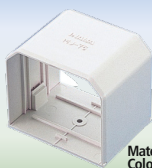
### SLIDING VERTICAL OFFSET

#### MCS • SLIDING VERTICAL OFFSET

ITEM NO.

MCS-85

## MJ



Material: PVC  
Color: Neo White

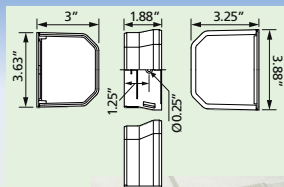
### COUPLER

#### MJ • COUPLER

ITEM NO.

MJ-85

## MFJ



Material: PVC  
Color: Neo White

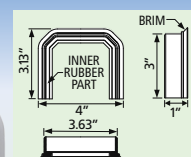
### FLEXIBLE ADAPTER

#### MFJ • FLEXIBLE ADAPTER

ITEM NO.

MF-85

## MS



Material:  
Main Cover-PVC  
Brim-Synthetic Rubber  
Color: Neo White

**CAUTION:** Not guaranteed to fit all equipment. When installing MS on indoor unit with steps in installation area or on a curved surface of R25 or more, a gap may be left.

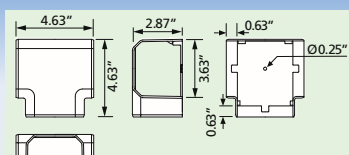
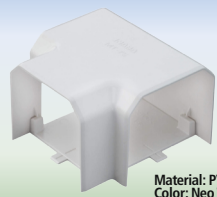
### END FITTING

#### MS • END FITTING

ITEM NO.

MS-85

## MT



Material: PVC  
Color: Neo White

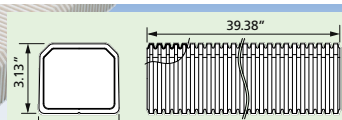
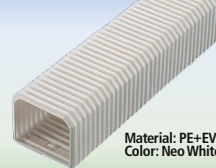
### TEE

#### MT • TEE

ITEM NO.

MT-85

## MF



Material: PE+EVA  
Color: Neo White

**CAUTION:** Requires MFJ Flexible Adapter at both ends of MF-85 for installation.

### FLEXIBLE ELL

#### MF • FLEXIBLE ELL

ITEM NO.

MF-85

# TKL SERIES

Vertical lineset installations are always subject to severe stress due to a combination of thermal expansion and gravity. This usually results in buckling and deformation of the pipe fitting at the lowest extremity.

## NOW THERE IS A WAY TO SOLVE THIS PROBLEM!

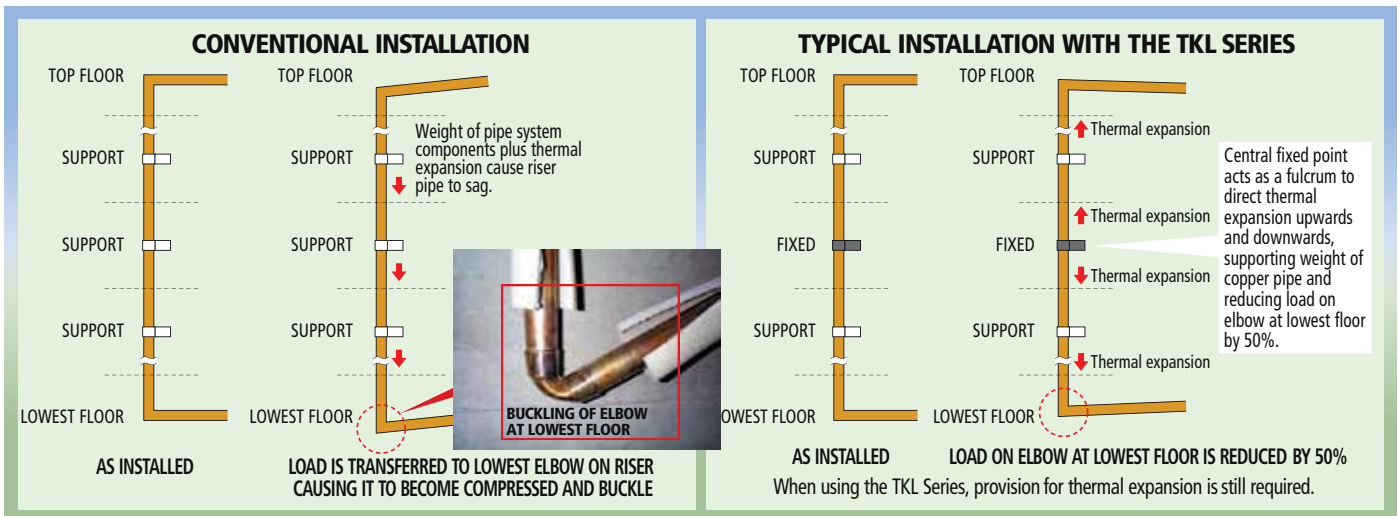
The innovative TKL Series **LINEBRACE™** System adds an extra support clamp which is attached to the midpoint of the vertical riser, reducing the thermal expansion load on the lowest elbow by 50%.

**LINEBRACE™** Reduces buckling of the elbow fitting at the low end of the lineset.

- The full range covers most commonly used lineset sizes from 1/4" to 1 3/4" in 1/8" increments.
- The precision engineered stainless steel assembly is fully compatible with all lineset sizes.
- Suitable for use with soft annealed or hard drawn copper pipes weighing up to 652 lbs.
- The integral di-electric isolation prevents electrolytic corrosion.
- **QUICK AND EASY INSTALLATION, NO BRAZING OR HOT WORK REQUIRED.**
- **EASY TO RETROFIT ONTO EXISTING LINESETS.**
- 3 mounting bracket configurations are available to facilitate mounting to brick, concrete or block walls, or structural steel.
- The mandatory 3/4" thick molded insulation sleeve maintains the thermal integrity of the support/bracket assembly.



**WARNING: THE TKL SERIES IS DESIGNED FOR USE ONLY IN AIR CONDITIONING LINESET SYSTEMS. IT IS NOT RATED FOR USE IN COMMERCIAL OR INDUSTRIAL REFRIGERATION PIPE SYSTEMS.**

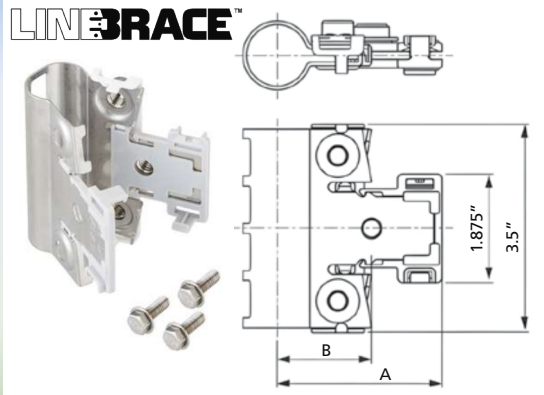


**NOTE: THE TKL SERIES MANDATES STRICT ADHERENCE TO MANUFACTURER'S INSTALLATION INSTRUCTIONS TO ENSURE OPTIMUM PERFORMANCE. BEFORE INSTALLATION, ALWAYS REFER TO THE TKL INSTALLATION MANUAL AVAILABLE ON OUR WEBSITE AT [WWW.MARKETAIR.COM](http://WWW.MARKETAIR.COM).**

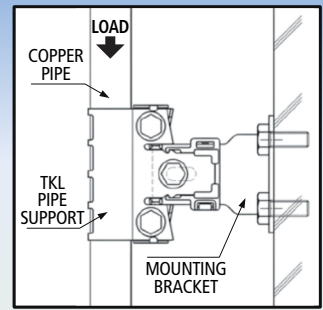
**TKL SERIES**

**TKL LINEBRACE LINESET SUPPORT CLAMP**

Stress Relieving Bracket/Clamp System for Vertical Riser Pipes in A/C Systems



| ITEM NO. | COMPLIANT PIPE SIZE | A     | B     | S/NS |
|----------|---------------------|-------|-------|------|
| TKL-3K   | Ø 3/8"              | 2.38" | 1.25" | S    |
| TKL-4K   | Ø 1/2"              | 2.5"  | 1.38" | S    |
| TKL-5K   | Ø 5/8"              | 2.5"  | 1.38" | S    |
| TKL-6K   | Ø 3/4"              | 2.63" | 1.5"  | S    |
| TKL-7K   | Ø 7/8"              | 2.63" | 1.5"  | S    |
| TKL-9K   | Ø 1 1/8"            | 2.88" | 1.63" | S    |
| TKL-11K  | Ø 1 3/8"            | 2.88" | 1.75" | S    |
| TKL-13K  | Ø 1 5/8"            | 3.13" | 2"    | S    |



**LOAD CAPACITY**

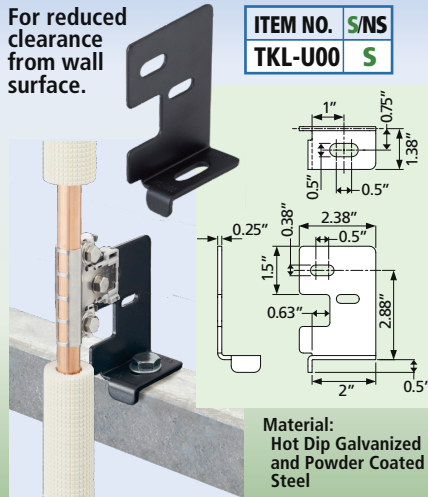
| ITEM NO. | LBS. |
|----------|------|
| TKL-3K   | 169  |
| TKL-4K   | 183  |
| TKL-5K   | 319  |
| TKL-6K   | 339  |
| TKL-7K   | 368  |
| TKL-9K   | 449  |
| TKL-11K  | 542  |
| TKL-13K  | 652  |

**Material:**  
 Pipe Support Clamp: Type 304 Stainless Steel  
 Clamp Liner Plates: Polypropylene  
 Hex Nuts and Bolts: M8 Stainless Steel  
 Mounting Brackets: 1/8" Hot Dip Galvanized and Powder Coated Steel  
 Insulation Sleeve: Expanded 3/4" Polyethylene Foam with Textured Polyethylene Surface

**TKL-U VERTICAL MOUNTING BRACKET FOR STRUCTURAL STEEL**

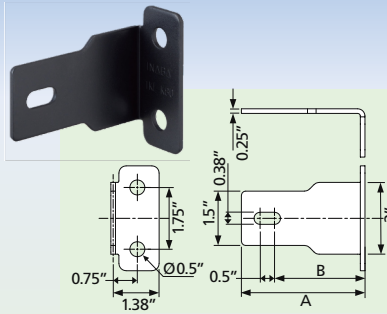
For reduced clearance from wall surface.

| ITEM NO. | S/NS |
|----------|------|
| TKL-U00  | S    |



**Material:**  
 Hot Dip Galvanized and Powder Coated Steel

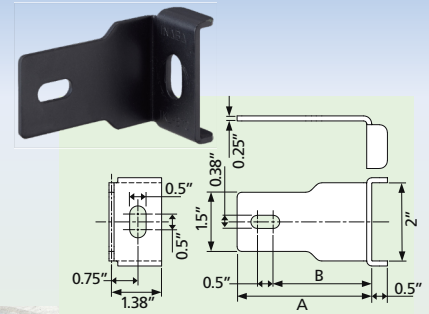
**TKL-K DIRECT MOUNT HORIZONTAL WALL BRACKET**



| ITEM NO. | A     | B     | S/NS |
|----------|-------|-------|------|
| TKL-K60  | 2.63" | 1.75" | S    |
| TKL-K70  | 3"    | 2.13" | S    |
| TKL-K80  | 3.5"  | 2.5"  | S    |
| TKL-K90  | 3.88" | 2.88" | NS   |
| TKL-K100 | 4.25" | 3.38" | S    |

**Material:**  
 Hot Dip Galvanized and Powder Coated Steel

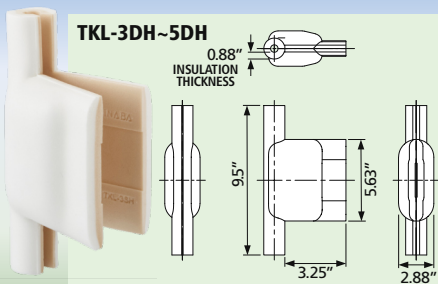
**TKL-B UNIVERSAL HORIZONTAL BRACKET**



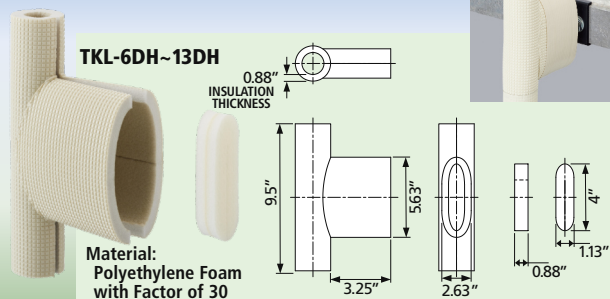
| ITEM NO. | A     | B     | S/NS |
|----------|-------|-------|------|
| TKL-B60  | 2.63" | 1.75" | S    |
| TKL-B70  | 3"    | 2.13" | NS   |
| TKL-B80  | 3.5"  | 2.5"  | S    |
| TKL-B90  | 3.88" | 2.88" | S    |
| TKL-B100 | 4.25" | 3.38" | NS   |

**Material:**  
 Hot Dip Galvanized and Powder Coated Steel

**TKL-H 3/4" WALL INSULATION SLEEVE**



**S=Stock Item NS=Non-Stock Item**  
 6 WEEKS DELIVERY



**Material:**  
 Polyethylene Foam with Factor of 30

| ITEM NO. | COMPLIANT TKL SERIES | S/NS |
|----------|----------------------|------|
| TKL-3DH  | TKL-3K               | S    |
| TKL-4DH  | TKL-4K               | S    |
| TKL-5DH  | TKL-5K               | S    |
| TKL-6DH  | TKL-6K               | S    |
| TKL-7DH  | TKL-7K               | S    |
| TKL-9DH  | TKL-9K               | S    |
| TKL-11DH | TKL-9K               | S    |
| TKL-13DH | TKL-9K               | S    |

**NOTE: THE TK SERIES MANDATES STRICT ADHERENCE TO MANUFACTURER'S INSTALLATION INSTRUCTIONS TO ENSURE OPTIMUM PERFORMANCE. BEFORE INSTALLATION, ALWAYS REFER TO THE TK INSTALLATION MANUAL AVAILABLE ON OUR WEBSITE AT WWW.MARKETAIR.COM.**

**TKL SERIES**

**JTA INSULATION JOINT TAPE**

- 4" wide polyester mesh reinforced foil tape with Easy Peel release backing.
- Covers the joint between the pipe insulation and the insulation sleeve around the clamp.
- Adheres tightly to the exterior surface of pipe insulation and sleeve and reinforces the joint to eliminate separation.



Material: Aluminum Foil + Polyester String contained tape (center part)  
 Size: 4"x33"  
 Thickness: 0.004"

**JTA • TAPE**

|           |
|-----------|
| ITEM NO.  |
| JTA-100-1 |

**HV PVC TAPE**

2" wide adhesive PVC tape wraps around the insulation sleeve on the clamp/bracket assembly and ensures the integrity of the thermal envelope to prevent sweating.



Material: PVC  
 Size: 2"x65'  
 Thickness: 0.007"

**HV • TAPE**

|          |
|----------|
| ITEM NO. |
| HV-50-1  |

**UVT UV RESISTANT PVC TAPE**

2" wide, highly adhesive UV Resistant PVC tape to protect exposed lineset insulation.



Material: Polyethylene  
 Size: 2"x65'

**UVT • TAPE**

|          |
|----------|
| ITEM NO. |
| UVT-50-1 |

**JTA, HV and UVT are Stock**



**MARKETAIR Inc.**

P.O. Box 10330, New Brunswick, NJ 08906 USA  
 ph: 732-985-8226 • fax: 732-985-2134 • info@marketair.com  
[www.marketair.com](http://www.marketair.com)



# Unique Installation Accessories for Ductless/VRF/VRV Ceiling Cassettes

## EasyCollar

### UNIVERSAL CASSETTE COLLARS

- 4 standard sizes in depths of 2", 4", 6", 8", 10" & 12".
- Bright White color is compatible with most cassette manufacturers and any interior décor.
- Standard collars can be cut down to custom depths or tailored to accommodate sloped ceilings on special order only, price supplement applies.
- Molded in 1 piece from strong, lightweight GRP (Class 2 Fire Resistant Resin) with a matte finish.

#### UNIVERSAL COLLAR SELECTION MATRIX

| CATALOG NUMBER                           | OVERALL SIZE LxWxH | OVERALL SIZE LxWxH | DEPTH  | CENTER HOLE | CENTER HOLE | WEIGHT POUNDS |
|--|--------------------|--------------------|--------|-------------|-------------|---------------|
|  | MILLIMETERS        | INCHES             | INCHES | MILLIMETERS | INCHES      |               |
| <b>Mini Universal</b>                    |                    |                    |        |             |             |               |
| ECMU-50                                  | 680x680x50         | 26.8 x 26.8 x 2    | 2      | 585 x 585   | 23 x 23     | 2.4           |
| ECMU-100                                 | 680x680x100        | 26.8 x 26.8 x 4    | 4      | 585 x 585   | 23 x 23     | 2.5           |
| ECMU-150                                 | 680x680x150        | 26.8 x 26.8 x 6    | 6      | 585 x 585   | 23 x 23     | 2.6           |
| <b>U1 – 100 for Standard Cassette U1</b> |                    |                    |        |             |             |               |
| ECU1-50                                  | 745x745x50         | 29.3 x 29.3 x 2    | 2      | 585 x 585   | 23 x 23     | 2.8           |
| ECU1-100                                 | 745x745x100        | 29.3 x 29.3 x 4    | 4      | 585 x 585   | 23 x 23     | 3.6           |
| ECU1-150                                 | 745x745x150        | 29.3 x 29.3 x 6    | 6      | 585 x 585   | 23 x 23     | 4.4           |
| ECU1-200                                 | 745x745x200        | 29.3 x 29.3 x 8    | 8      | 585 x 585   | 23 x 23     | 5.1           |
| ECU1-250                                 | 745x745x250        | 29.3 x 29.3 x 10   | 10     | 585 x 585   | 23 x 23     | 6.0           |
| ECU1-300                                 | 745x745x300        | 29.3 x 29.3 x 12   | 12     | 585 x 585   | 23 x 23     | 6.7           |
| <b>U2 – 250 for Standard Cassette U2</b> |                    |                    |        |             |             |               |
| ECU2-50                                  | 1000x1000x50       | 39.4 x 39.4 x 2    | 2      | 855 x 855   | 33.7 x 33.7 | 3.4           |
| ECU2-100                                 | 1000x1000x100      | 39.4 x 39.4 x 4    | 4      | 855 x 855   | 33.7 x 33.7 | 4.7           |
| ECU2-150                                 | 1000x1000x150      | 39.4 x 39.4 x 6    | 6      | 855 x 855   | 33.7 x 33.7 | 6.1           |
| ECU2-200                                 | 1000x1000x200      | 39.4 x 39.4 x 8    | 8      | 855 x 855   | 33.7 x 33.7 | 7.3           |
| ECU2-250                                 | 1000x1000x250      | 39.4 x 39.4 x 10   | 10     | 855 x 855   | 33.7 x 33.7 | 8.7           |
| ECU2-300                                 | 1000x1000x300      | 39.4 x 39.4 x 12   | 12     | 855 x 855   | 33.7 x 33.7 | 10.2          |
| <b>U3 – 50 for Standard Cassette U3</b>  |                    |                    |        |             |             |               |
| ECU3-50                                  | 1200x1200x50       | 47.3 x 47.3 x 2    | 2      | 855 x 855   | 33.7 x 33.7 | 6.7           |
| ECU3-100                                 | 1200x1200x100      | 47.3 x 47.3 x 4    | 4      | 855 x 855   | 33.7 x 33.7 | 8.7           |
| ECU3-150                                 | 1200x1200x150      | 47.3 x 47.3 x 6    | 6      | 855 x 855   | 33.7 x 33.7 | 10.7          |
| ECU3-200                                 | 1200x1200x200      | 47.3 x 47.3 x 8    | 8      | 855 x 855   | 33.7 x 33.7 | 12.7          |
| ECU3-250                                 | 1200x1200x250      | 47.3 x 47.3 x 10   | 10     | 855 x 855   | 33.7 x 33.7 | 14.7          |
| ECU3-300                                 | 1200x1200x300      | 47.3 x 47.3 x 12   | 12     | 855 x 855   | 33.7 x 33.7 | 16.8          |



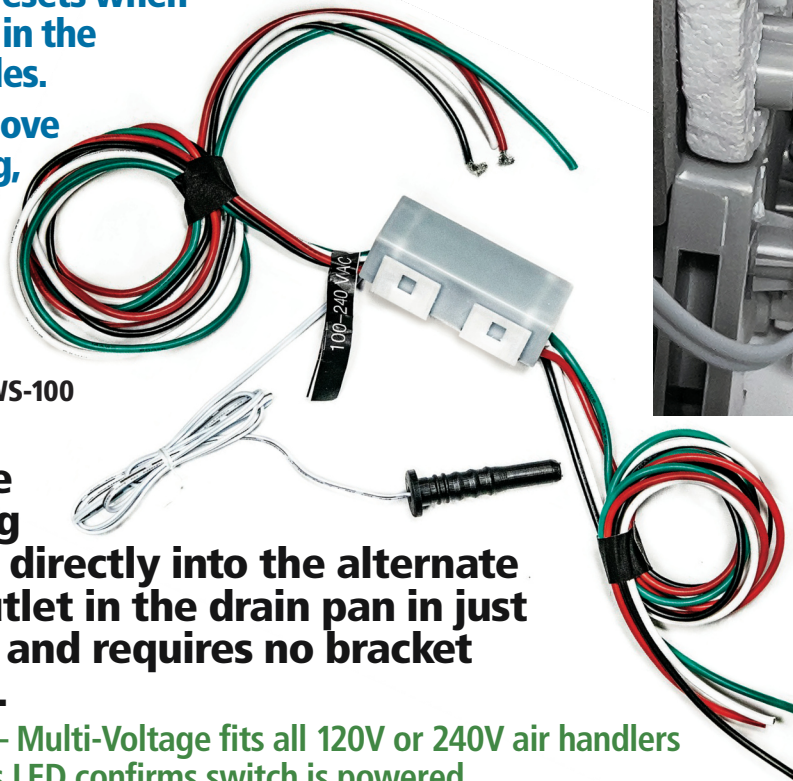
- Suitable for stores, restaurants, offices, hotels, supermarkets, with shallow ceiling voids or exposed cassettes.
- Compatible with most cassettes from many manufacturers.
- Enhance the appearance of the cassette to provide a professional finish.
- Quick & easy to install.
- Do not compromise maintenance.
- Retain their appearance for the life of the cassette.

# SPEEDSTICK

The next generation smart condensate overflow switch for wall mounted ductless air handlers.

- ✓ Shuts down the air handler to prevent water damage when the drain line clogs up.
- ✓ To eliminate false alarms, the intuitive sensor only reacts after 10 seconds of sustained water presence.
- ✓ Automatically resets when the water level in the drain pan recedes.
- ✓ No need to remove the outer casing, easy to install, remove or replace.

WS-100



This innovative patent pending design installs directly into the alternate condensate outlet in the drain pan in just a few minutes and requires no bracket or adjustment.

- System powered – Multi-Voltage fits all 120V or 240V air handlers
- GREEN/RED status LED confirms switch is powered, while BLUE LED confirms optional WiFi connection.
- Easy wiring, 48" leads accommodate large air handlers and wire colors match OEM wiring.
- UL LISTED, complies with all relevant code requirements.
- Competitively priced.
- Includes decal for air handler.



Exclusive Master Distributor for the USA & Canada:



**MARKETAIR** Inc.

P.O. Box 10330, New Brunswick, NJ 08906 USA  
 ph: 732-985-8226 • fax: 732-985-2134 • info@marketair.com  
 www.marketair.com

Available from:



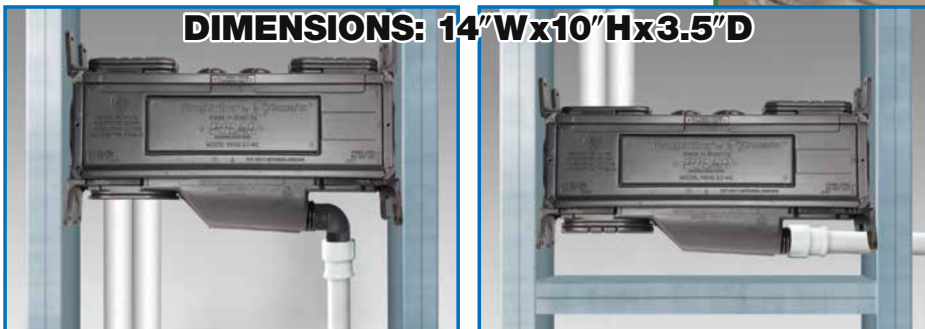
# SEE DETAILS OF THESE ITEMS PLUS OTHER UNIQUE PRODUCTS IN OUR GENERAL CATALOG

## RoughinBox™

- The only way to rough in a wall mounted minisplit in new construction or to the studs rehab.
- Protects lineset & cable from damage. Shields drain outlet from dirt & debris.
- Easy to install, access, and hook up.
- For wood or metal studs at 16" centers.



**MODEL RBX3-MD-NC** accommodates vertical or horizontal condensate discharge.



**DIMENSIONS: 14"Wx10"Hx3.5"D**

Accommodates a concealed reservoir and/or condensate pump.

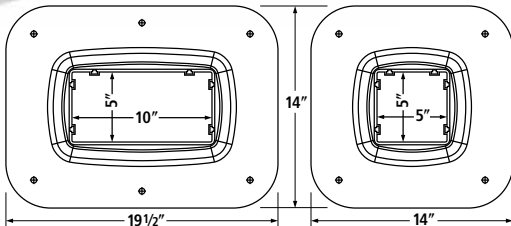
## LINEPORT



### THE EASY, ECONOMICAL, WEATHERPROOF ROOF PENETRATION.



- Precision molded Gooseneck fitting protects linesets emerging from a flat roof.
- ASA material features high thermal stability and improved weather resistance.
- Aesthetically pleasing, a perfect blend of form and function for a professional finish.



- Temperature range -4° to +158° F. • UV resistant. • 2 sizes to fit any small to medium roof penetration, 10"x5" and 5"x5". • Easy to assemble, easy to install, easy to waterproof. • Neutral color